



Assembly Instructions for Elite Storage Collection

DATE STAMP

CALL US FIRST
1-877-PREPAC1
1-877-773-7221



Mon - Fri 7am - 4pm PST
10am - 7pm EST

- For help with assembly
- If you have received a damaged or defective part or are missing hardware.

We will process replacement parts in 2 business days or less. Parts are shipped via UPS Ground or mail.

Before you call please:

- 1) Record the following information from the shipping label on the outside of the box. You will need it for warranty purposes:
 - Ship To Name
 - Sales Order Number
- 2) Note the product model number.
- 3) Review the contents of your shipment to determine what you are missing.

Online Option:

Fill out the Replacement Parts Order form in the Product Support section of our website: www.prepacmfg.com

32" Wall Cabinet and Topper

Model # WEW-3224 / EEW-3224

IMPORTANT

These instructions are made up of 2 parts:

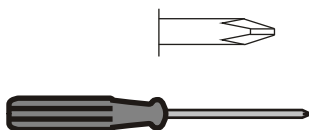
- A) Cabinet Assembly Instructions
- B) Installation Instructions (back of this booklet)

Please read ALL instructions before you begin.



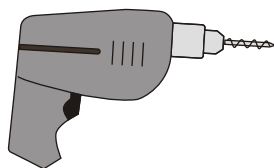
Required Tools

Phillips Head Screwdriver



Hammer

Drill



3/16" (5mm) drill bit

Using a power tool will speed up assembly.

Caution

Do not over tighten any screw.

The last few turns of each screw should be done very slowly or by hand.

Prepac Manufacturing Ltd.
6705 Dennett Place
Delta, BC V4G 1N4

LB-0622
2015-08-21

Hardware Identification



Screw
Cover Caps (12)
RM-0008 - White
RM-0304 - Espresso



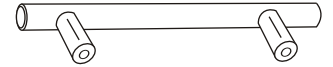
2" Confirmat Screws
(12)
RM-0001



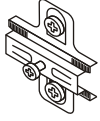
3/4" Nail (20)
RM-0022



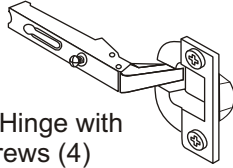
Shelf Supports (4)
RM-0010 - White
RM-0229 - Espresso



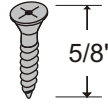
Brushed Nickel Handle
with Screws (2)
RM-0306



Hinge Plate with
screws (4)
RM-0027



Euro Hinge with
screws (4)
RM-0125



#6 - 5/8" Screw (8)
RM-0004



Metal
Dowel (2)
RM-0014

Cabinet Parts

C1

Fixed Shelf (2)
SH-1009 - White
SH-1609 - Espresso

C2

Side (2)
SG-1023 - White
SG-1623 - Espresso

C3

Stabilizer (2)
ST-1023 - White
ST-1623 - Espresso

C4

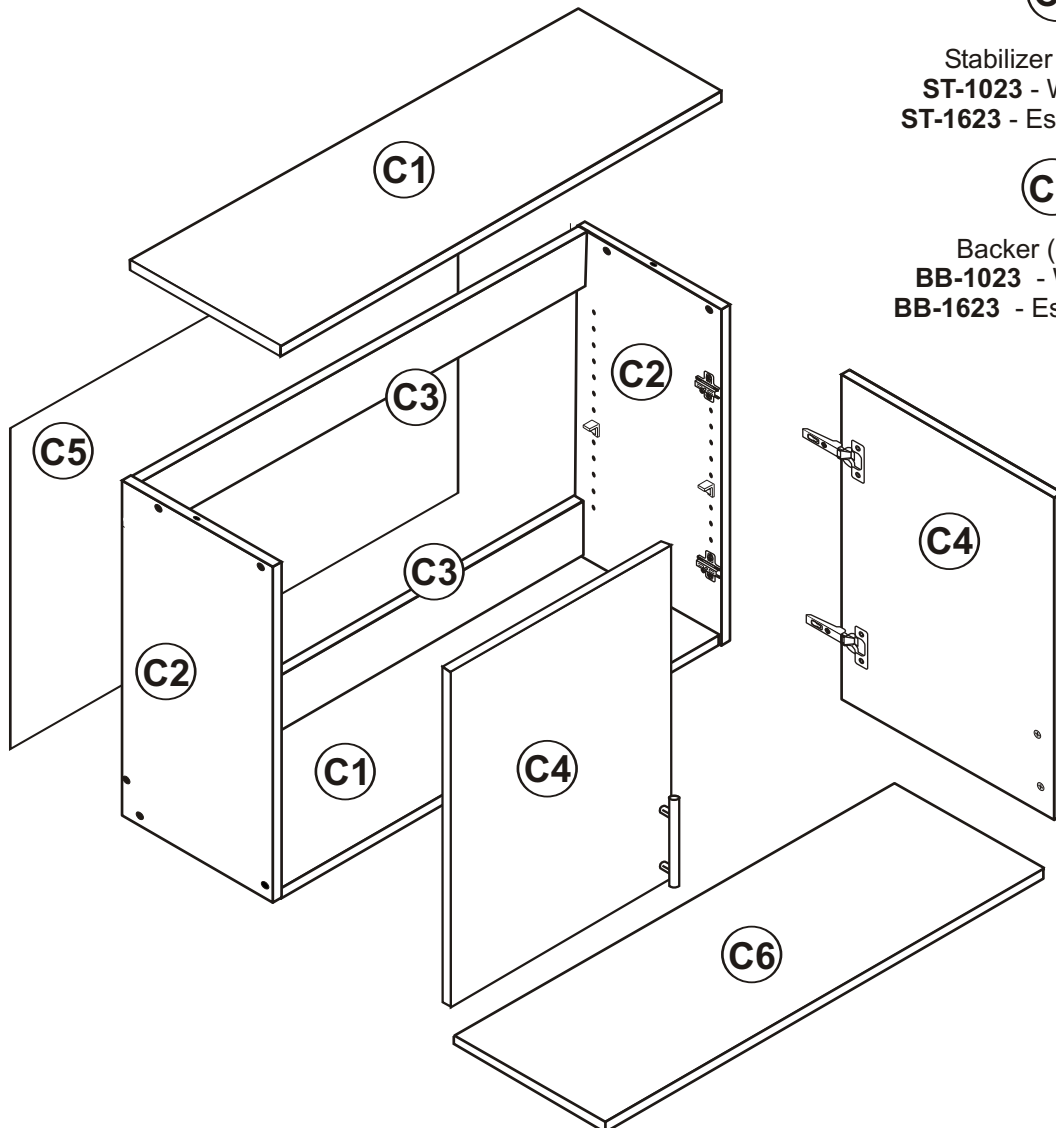
Door (2)
DR-1023 - White
DR-1623 - Espresso

C5

Backer (1)
BB-1023 - White
BB-1623 - Espresso

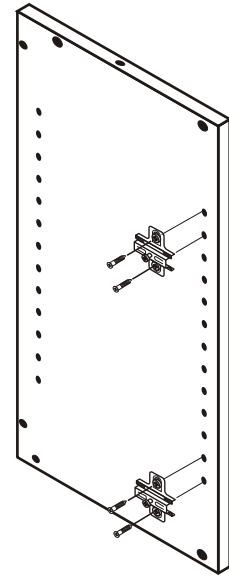
C6

Adjustable Shelf (1)
SF-1008 - White
SF-1608 - Espresso



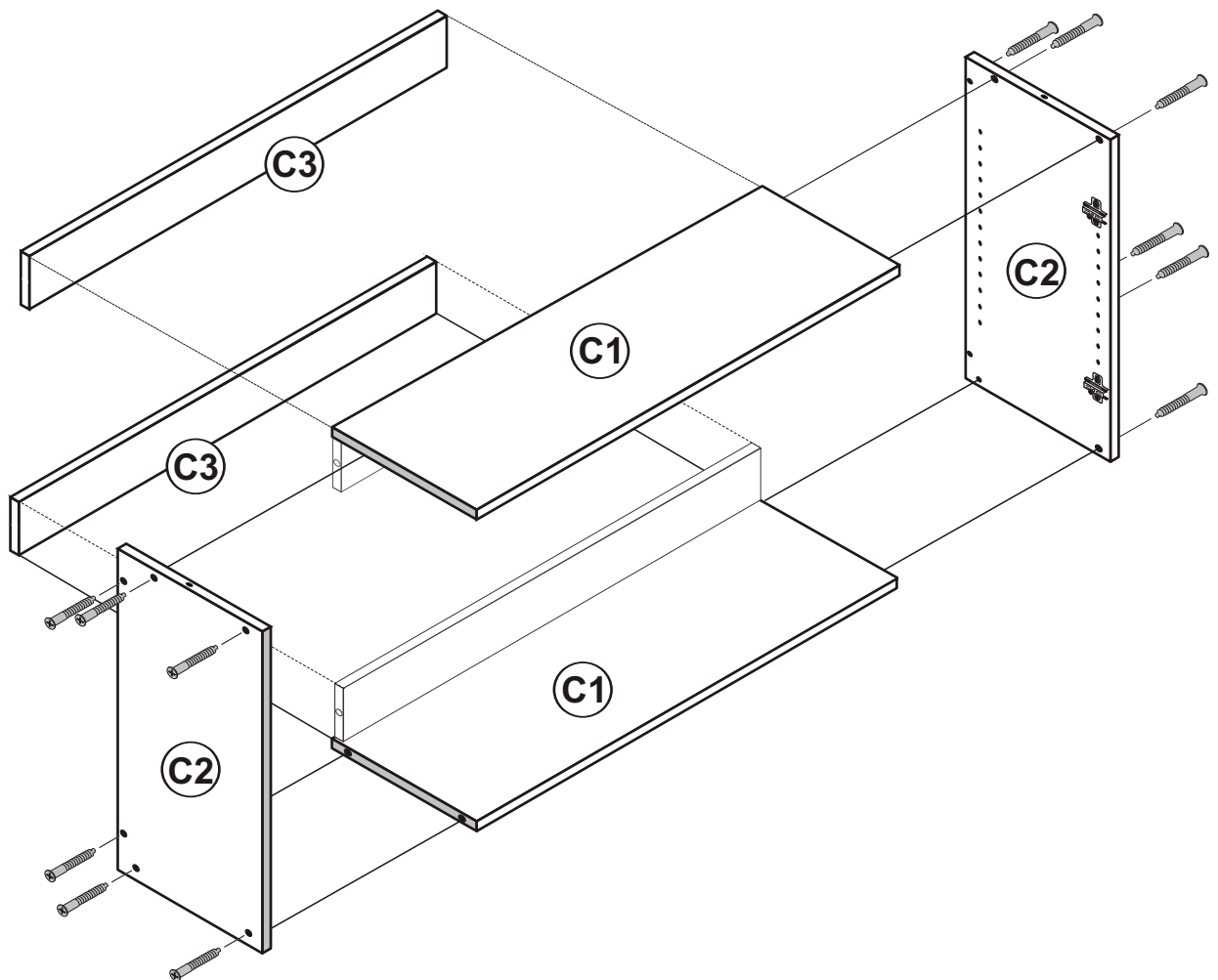
STEP 1 Estimated Time: 5 minutes

Attach hinge plates in the top and bottom two holes on each side.



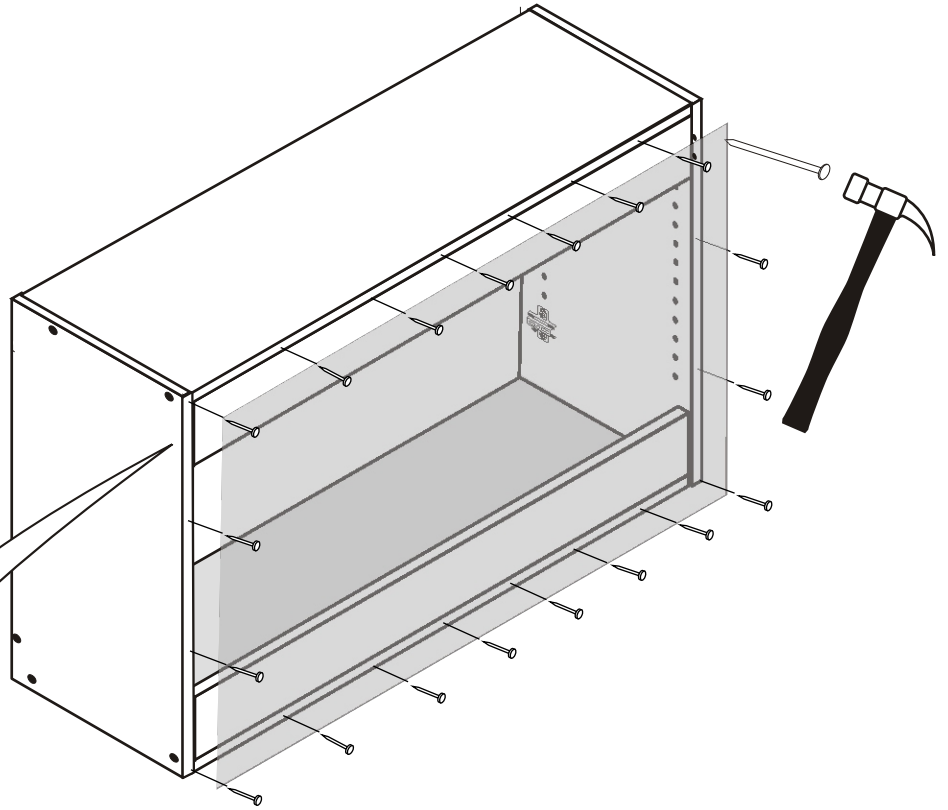
STEP 2 Estimated Time: 10 minutes

Attach all parts shown with Confirmat Screws.

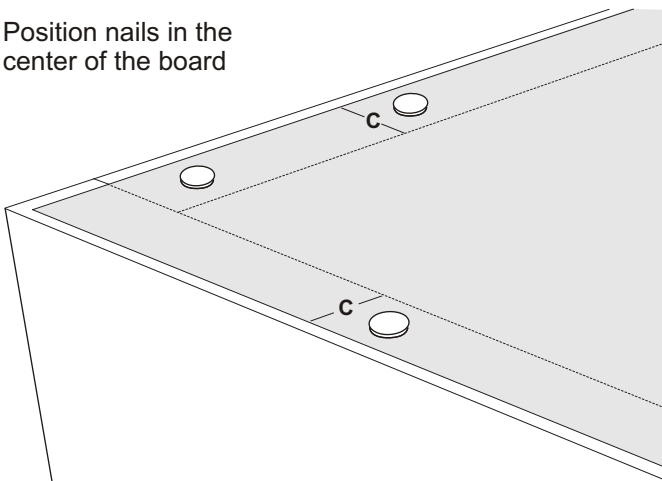


STEP 3 Estimated Time: 5 minutes

Attach backer as shown



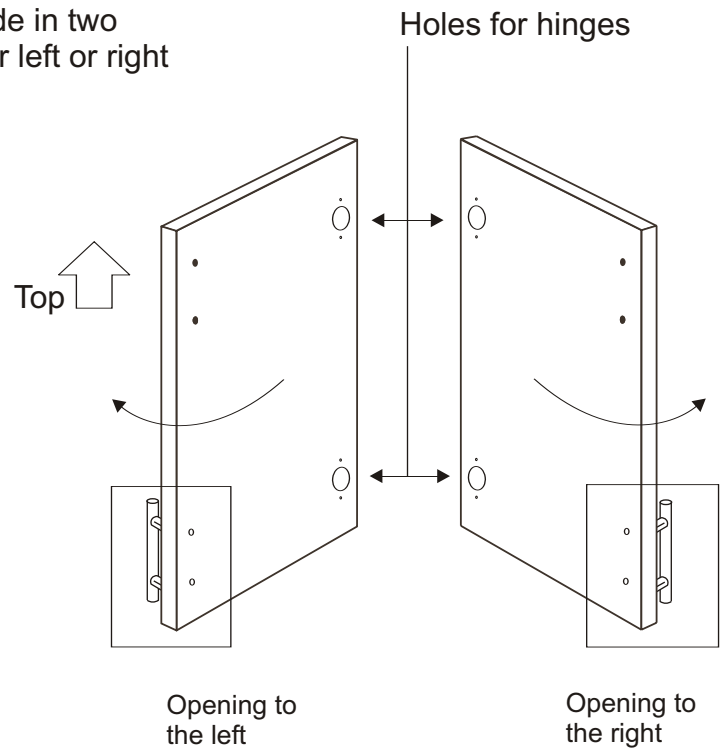
Position nails in the center of the board



STEP 4 Estimated Time: 10-20 minutes

The door has been template drilled on the back side in two locations so that it can be positioned to open either left or right

- 4a** You will need to make one door “Left Opening” and one door “Right Opening”



- 4b** Drill through the holes at the desired location.

You will have to complete the drill-through depending on left or right door configurations.

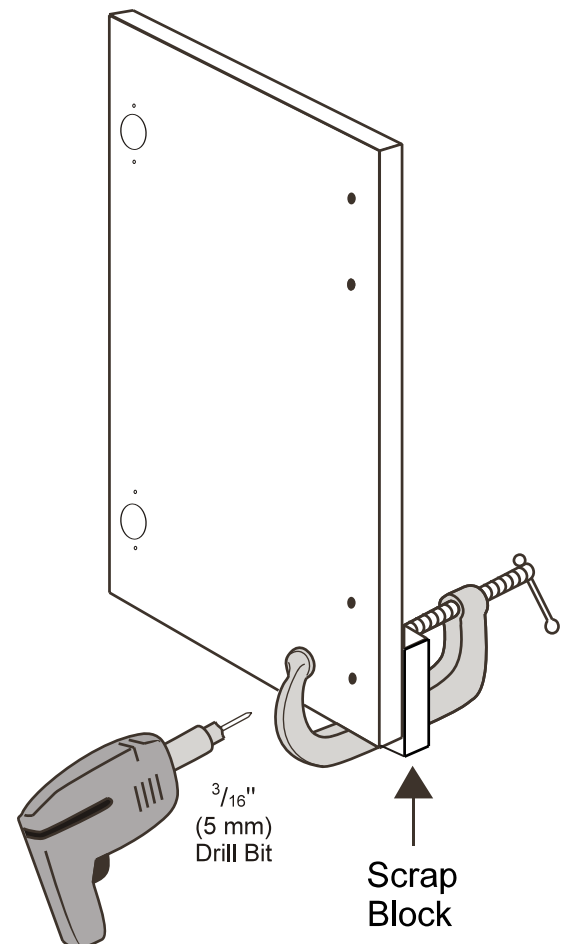
IMPORTANT:

With a “C” clamp, secure a wood block or piece of scrap material behind the door.

This will prevent the drill bit from chipping the front of the door when it penetrates through the door.

REMEMBER:

Check twice
Drill once

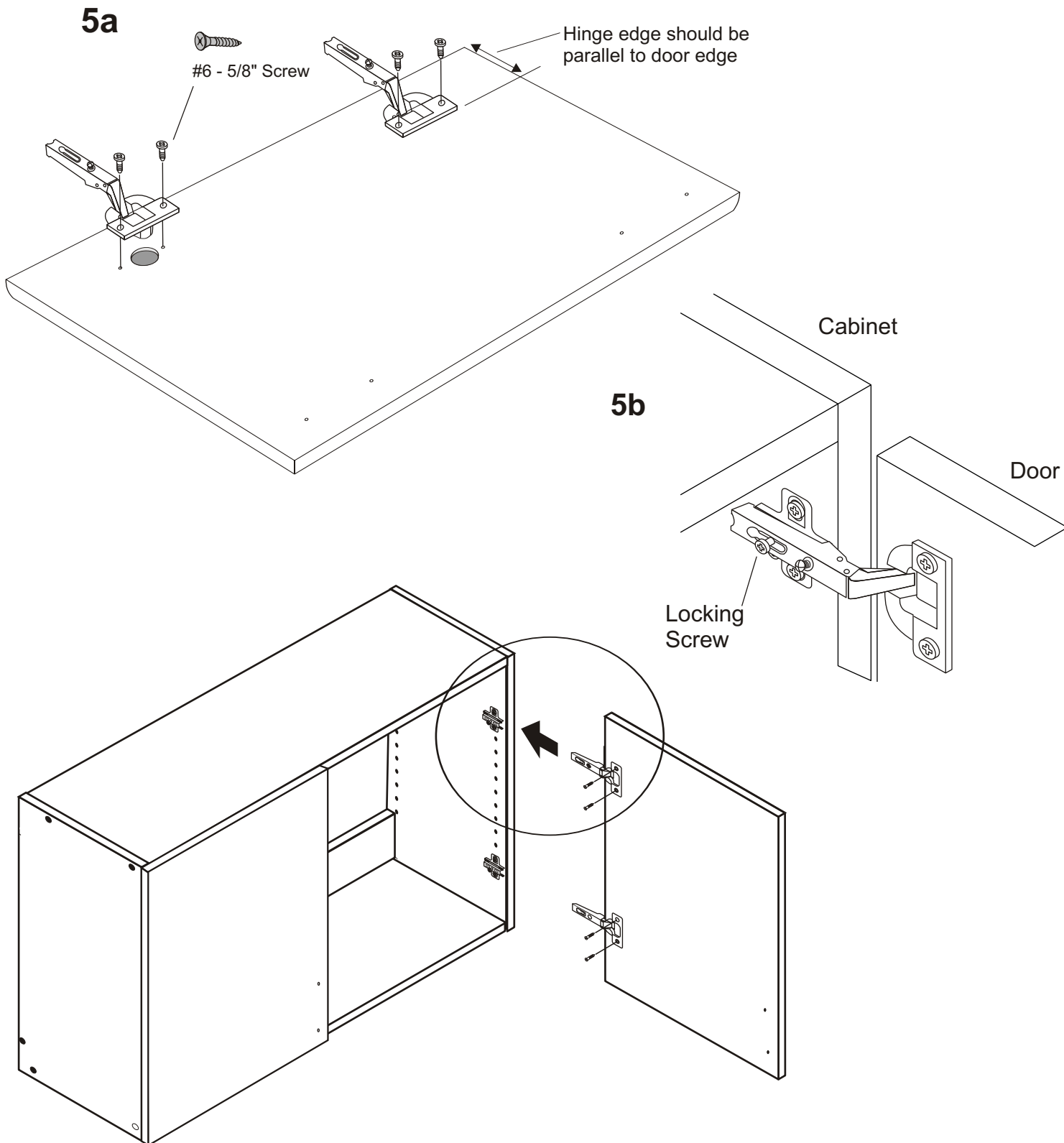


STEP 5 Estimated Time: 10 minutes

NOTE: Depending on your installation, you may want to attach the cabinet to the wall or other cabinets before you attach the doors. Refer to the **ELITE STORAGE INSTALLATION GUIDE**.

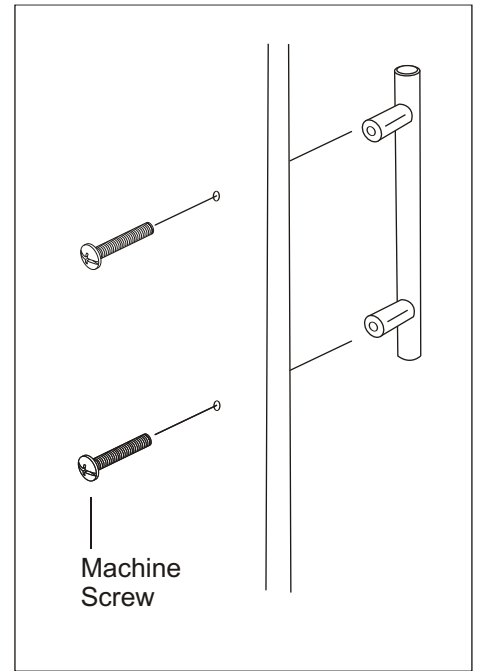
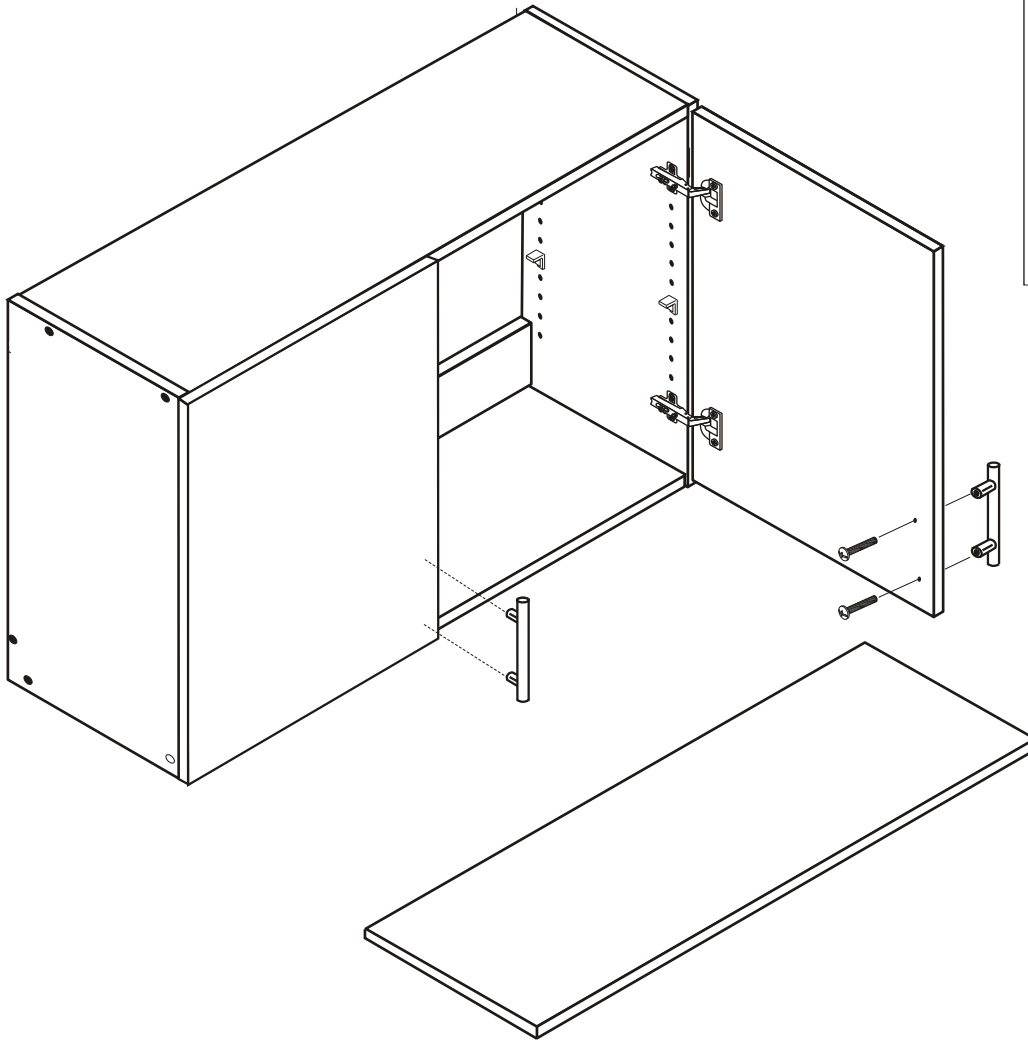
5a Line up the hinges with the large holes on the doors and secure with screws. Make sure the edge of each hinge is parallel to the side of the door.

5b Slide the door hinges over the hinge plates on the cabinet and tighten the locking screw in the center of each plate. These hinges are 6 way adjustable (see diagrams on page 8).



STEP 6 Estimated Time: 3 minutes

Attach handles with machine screws.



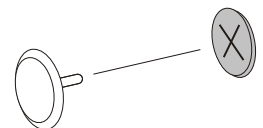
STEP 7 Estimated Time: 2 minutes

Insert shelf supports at desired locations and add adjustable shelf



Insert screw cover caps into exposed screws.

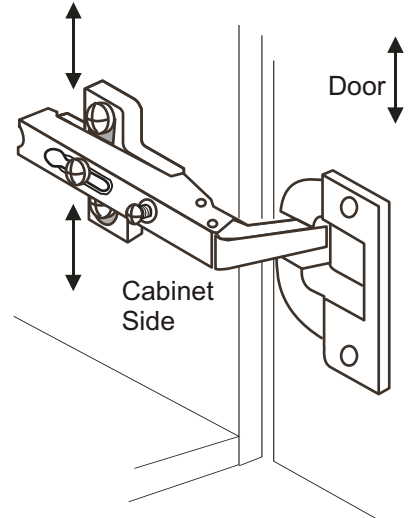
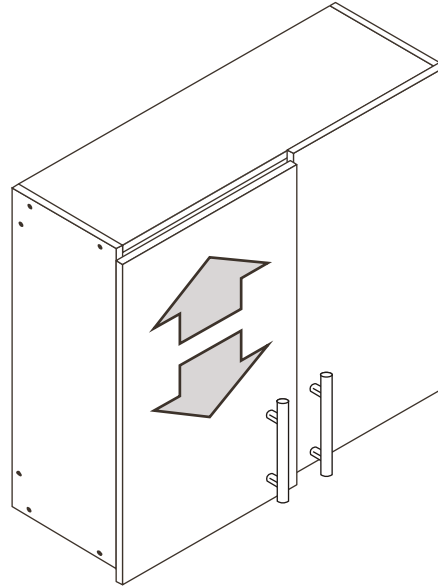
Note: If you are attaching multiple cabinets side-by-side, wait until your installation is completed because you will only need to cover the exposed screws.



Hinge Adjustments

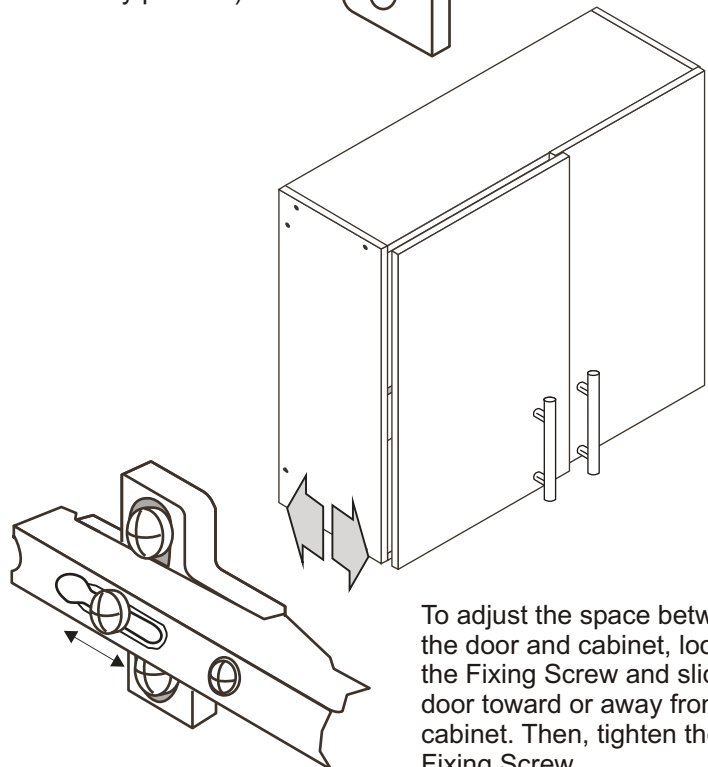
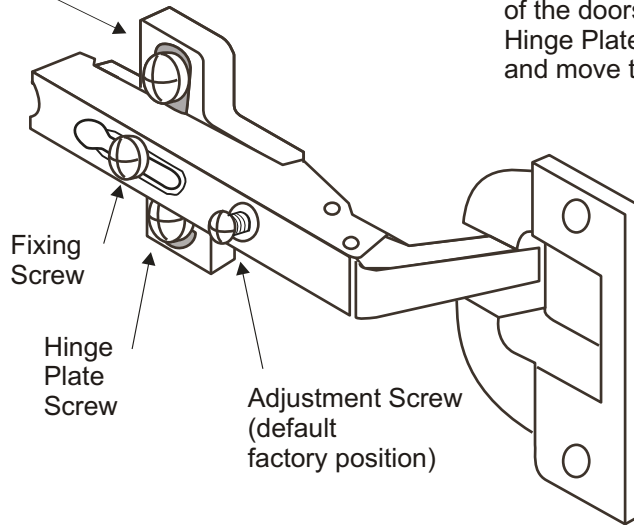
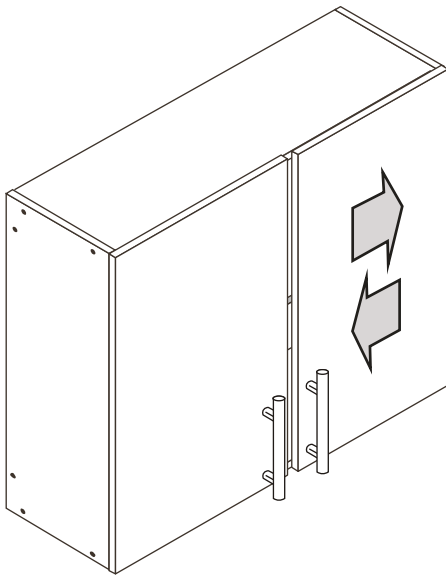
Estimated Time: 5 minutes

The hinges we include with our products are top quality and are 6-way adjustable, allowing you to make precise adjustments.



Hinge Plate Screw
(center is the default factory position)

To adjust the vertical alignment of the doors, loosen the top & bottom Hinge Plate Screws (on both hinge sets) and move the door up or down.



For a gap between doors:

- 1) Loosen the Fixing Screw
- 2) Tighten the Adjustment Screw
- 3) Re-tighten the Fixing Screw



If the doors are too close together:

- 1) Loosen the Adjustment Screw
- 2) Tighten the Fixing Screw



To adjust the space between the door and cabinet, loosen the Fixing Screw and slide the door toward or away from the cabinet. Then, tighten the Fixing Screw.

Elite Storage Collection - Planning & Installation Guide

Before you get started...

Read all installation instructions and assemble all cabinets as shown in the Cabinet Assembly portion of these instructions.

If you are planning a multi-cabinet installation, leveling & pre-planning is an important step for a good quality installation and makes adjustments afterwards only minor. When installing storage cabinetry there can be unusual obstacles to overcome or work-around.

The **recommended** method of installing wall cabinets is to fasten them to wooden wall studs. If you cannot locate wooden wall studs, consult your local hardware store for advice on the best way to securely attach them to your wall.

We will cover the basic principals of installation in this guide; however, you may have to seek advice or be creative if you encounter obstacles in your utility, kitchen, laundry, basement, garage or workshop environments.

Helpful Hints

After assembling the cabinets and before installation, **DO NOT** insert the plastic screw cover caps. Wait until the installation is complete. At that time, only a few cover caps will be needed for the exposed cabinet sides.

Wall and Base Cabinets should be mounted prior to attaching the doors.

It is very important to install cabinets level and plumb. Shims may be necessary.

What are shims?

A shim is a thin slip or wedge of metal or wood, etc., for driving into crevices or beneath cabinets to level them.

Sample Configurations



Laundry Room with 3 Door Wall Cabinet (WEW-5424)

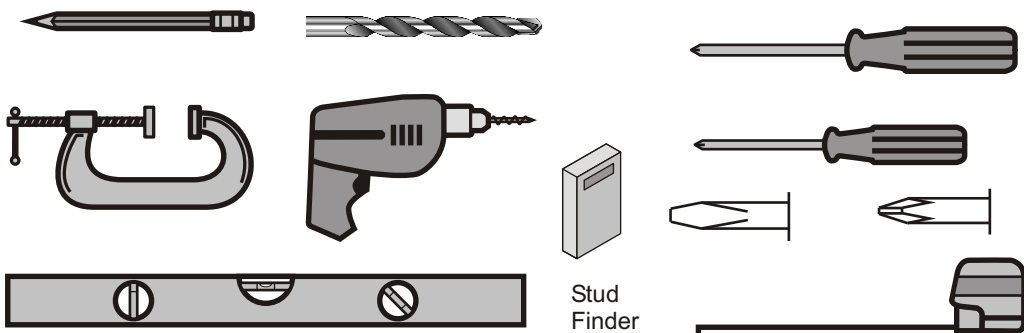


Laundry Room Installation showing Wall Cabinets attached directly to the wall above Base Cabinets

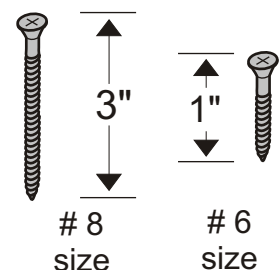


Garage Installation showing Wall Cabinets both as Toppers and attached directly to the wall

Tools Required



Hardware Required for Installation



Note: we do not include the screw fasteners for installing the wall cabinets to the walls. To hang wall cabinets to a traditional sheetrock and wood stud wall, you will need to purchase **3" cabinet installation screws** (3" x #8 Flat Head Wood or similar) and **1" cabinet installation screws** if you want to join cabinets side-to-side (1" x #6 Flat Head Wood or similar).

Available Cabinets



1 Door Topper & Wall Cabinet
WEW-1624
16" w x 24" h x 16" d



2 Door Topper & Wall Cabinet
WEW-3224
32" w x 24" h x 16" d



3 Door Wall Cabinet
WEW-5424
54" w x 24" h x 12" d



Broom Cabinet
WEB-1664
16" w x 65" h x 16" d



Storage Cabinet
WES-3264
32" w x 65" h x 16" d



Wardrobe Cabinet
WEW-3264
32" w x 65" h x 20" d



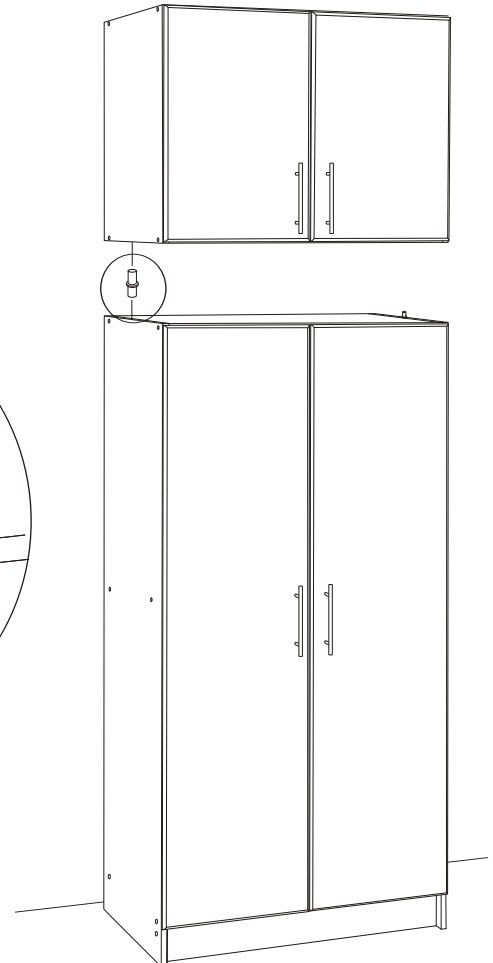
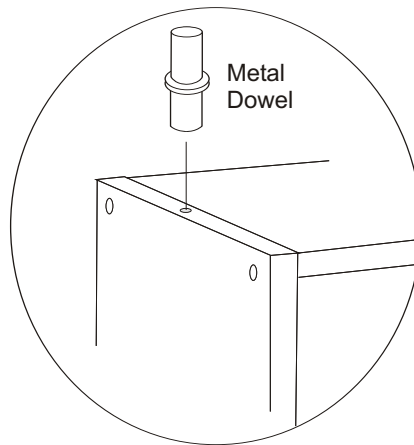
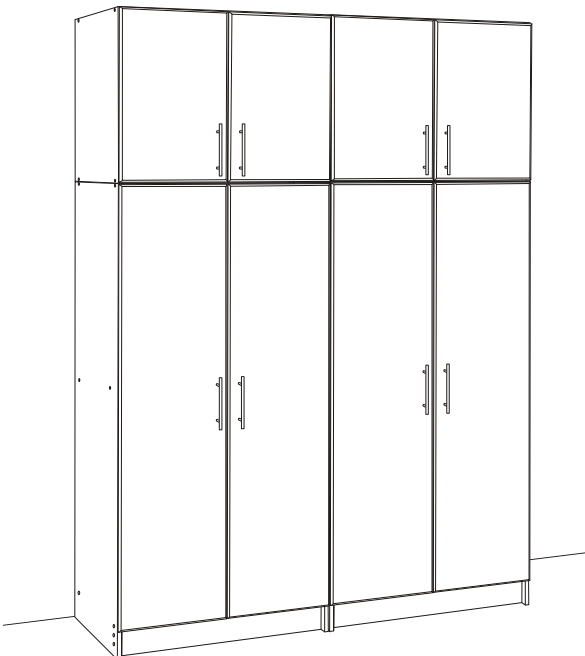
Base with Drawer & Door
WED-1636
16" w x 36" h x 24" d



Base with 2 Doors
WEB-3236
32" w x 36" h x 24" d

Basic Installation Storage Cabinets & Wall Toppers ONLY

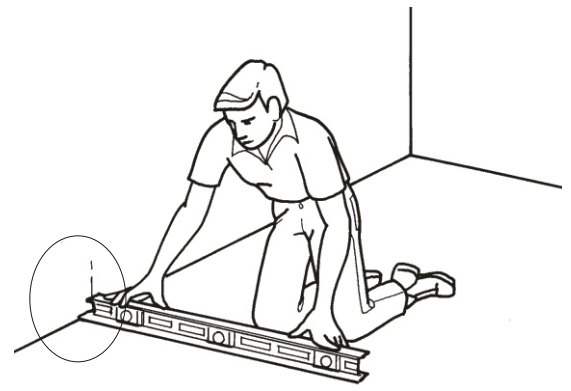
In free-standing applications, the wall toppers can be secured on top of the storage cabinets by lining up the wood dowels on the bottom of the wall cabinets with the holes on the top of the storage cabinet. Wood dowels are supplied with the toppers.



Full Cabinet Installation Requirements:

1. Prepare the Floors

Remove any moldings, baseboards and other obstructions where the Base Cabinets will be installed. Using your level, check for any high points in the floor. If there are any **high points** use this as your starting point to measure up the wall as described in step 2.



2. Prepare the Walls

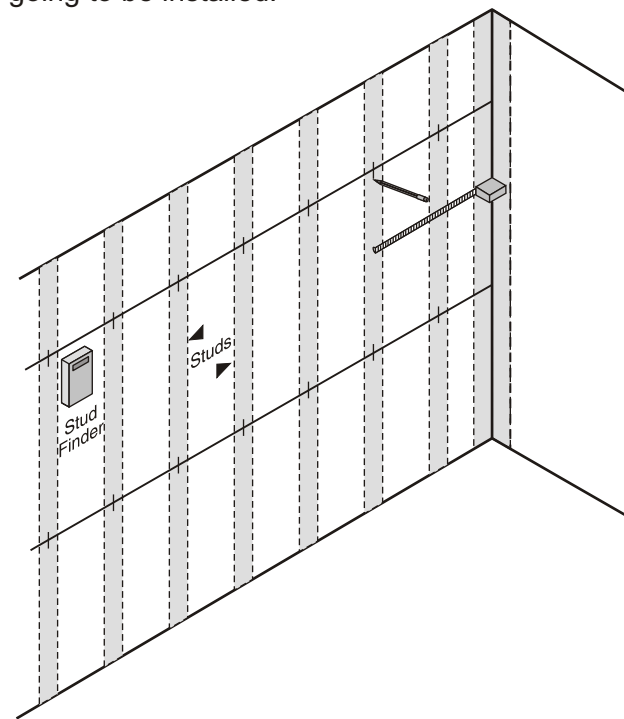
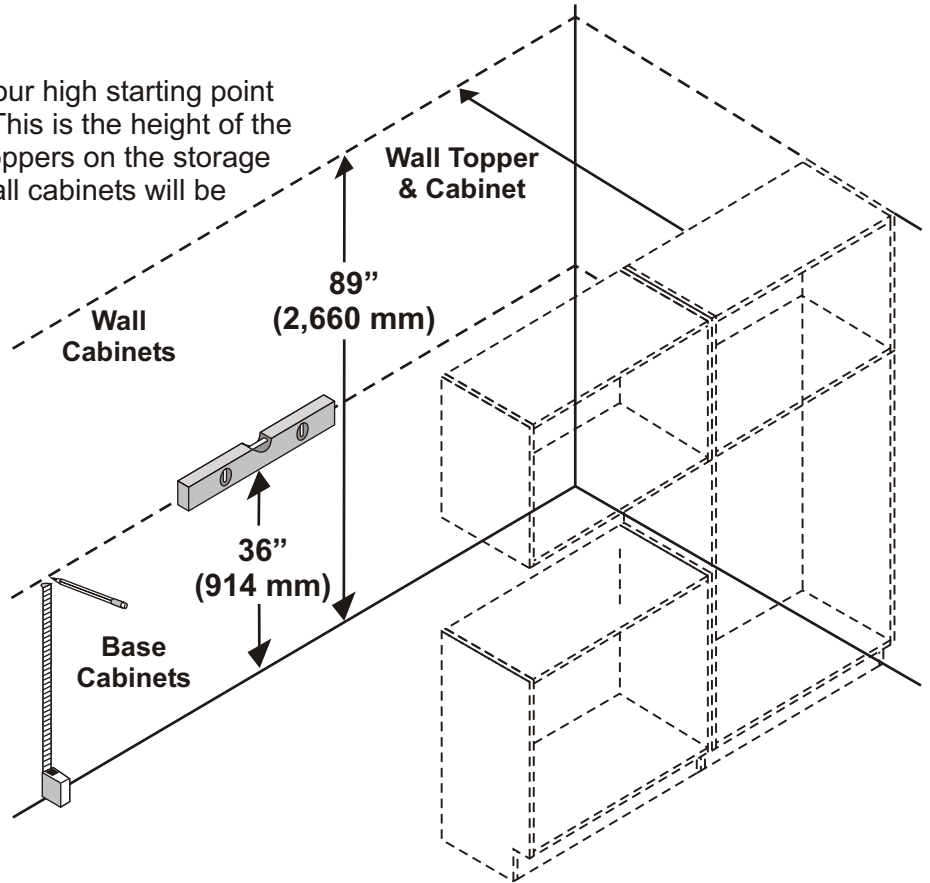
Wall Cabinets

Measure 89" (2,660mm) up the wall from your high starting point for the height to mount your wall cabinets. This is the height of the top of the wall cabinets when installed as toppers on the storage cabinets and will ensure the tops of your wall cabinets will be aligned when installed.

If you are not using wall cabinets as toppers, they can be hung at any height that suits your needs (ie: 80" over a Washer or Dryer). If you are also installing base cabinets, consider how much space you want between the top of the base cabinets and the bottom of the wall cabinets. Measure from the high point in the floor and draw a level horizontal line.

Base Cabinets

Measure up the wall 36" (914mm) from your high starting point. This is the height of the base cabinets. Draw a level horizontal line along the wall where the top of the base cabinets are going to be installed.



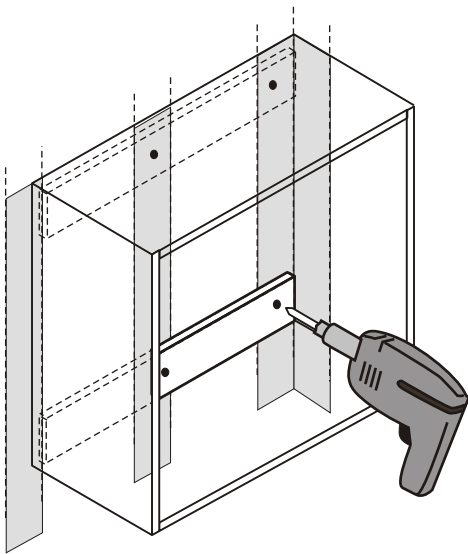
3. Wall Mounting Points

Wall and Base Cabinets must be solidly attached to your wall. Make sure that you locate the studs behind the wallboard. Mark where the center of each stud is located and make sure you hit the stud with the 3" wood screws as described in steps 4 & 6.

Studs are usually 16" (406mm) apart from the center of one to the center of another. Using a Stud Finder is the easiest way to locate studs.

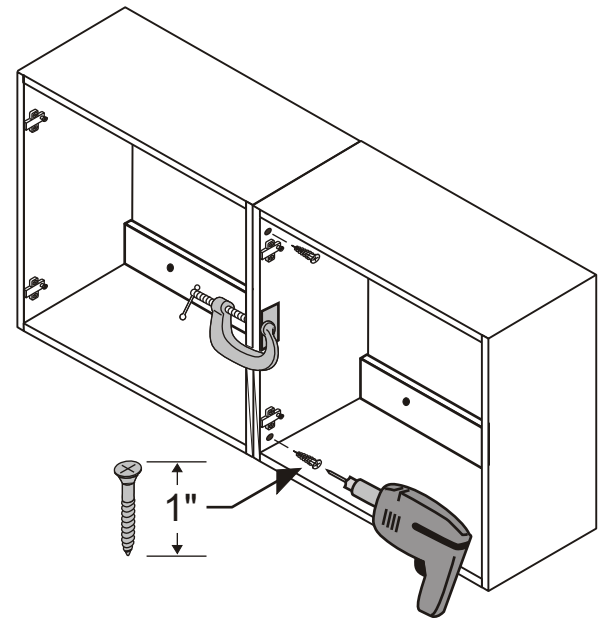
The recommended method of installation is to fasten the cabinets to wooden wall studs.

If you cannot locate wooden wall studs, consult your local hardware store for advice on the best type of wall anchors for your installation.



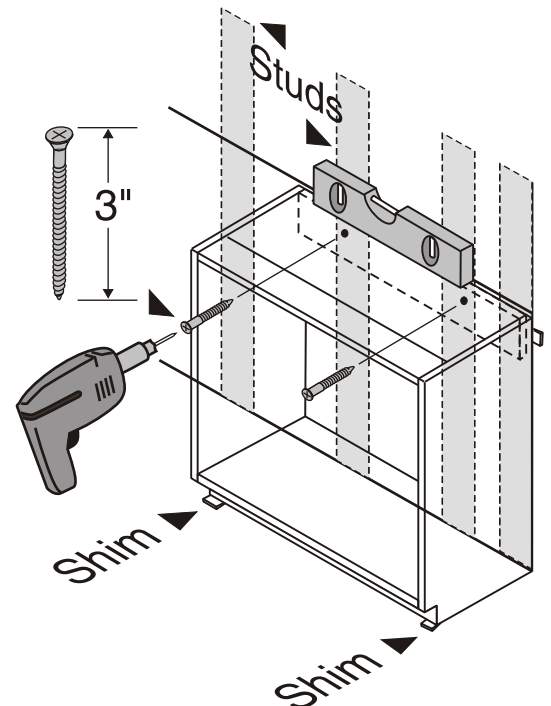
4. Installing Wall Cabinets

Fasten cabinets to the wall using the appropriate 3" screws (not supplied) through the hanging back rails and into studs. First drill a pilot hole in the cabinet hanging rails in line with the location of the wall studs.



5. Fastening Cabinets Together

Position the adjoining cabinets in place making sure they are flush. Clamp cabinets together using padded "C" clamps. Pre-drill a 1/8" diameter hole through one cabinet so that it just penetrates the adjoining cabinet. Secure the cabinets together with a 1" flat head wood screw (not supplied). It is best to install these screws just above or below each hinge. Cabinets should now be level and plumb. Shim where necessary and attach cabinets to the wall with 3" screws as described in step 4.



6. Installing Base Cabinets

Start installing base cabinets in the corner. Place the top of the cabinet at the 36" horizontal line you marked on the wall. You may have to shim the cabinet from the floor. Fasten cabinets to the wall using 3" screws (not supplied) through the back rail and into studs. First drill a pilot hole in the cabinet rail where the studs are located. Follow the same procedure as in Step 5 for fastening the cabinets together.