

# CHICAGO FAUCETS

a Geberit company



2100 SOUTH CLEARWATER DRIVE  
DES PLAINES, ILLINOIS 60018-5999

FITTING NO.

621

SUBMITTED MODEL NO.

JOB NAME

ITEM NO.

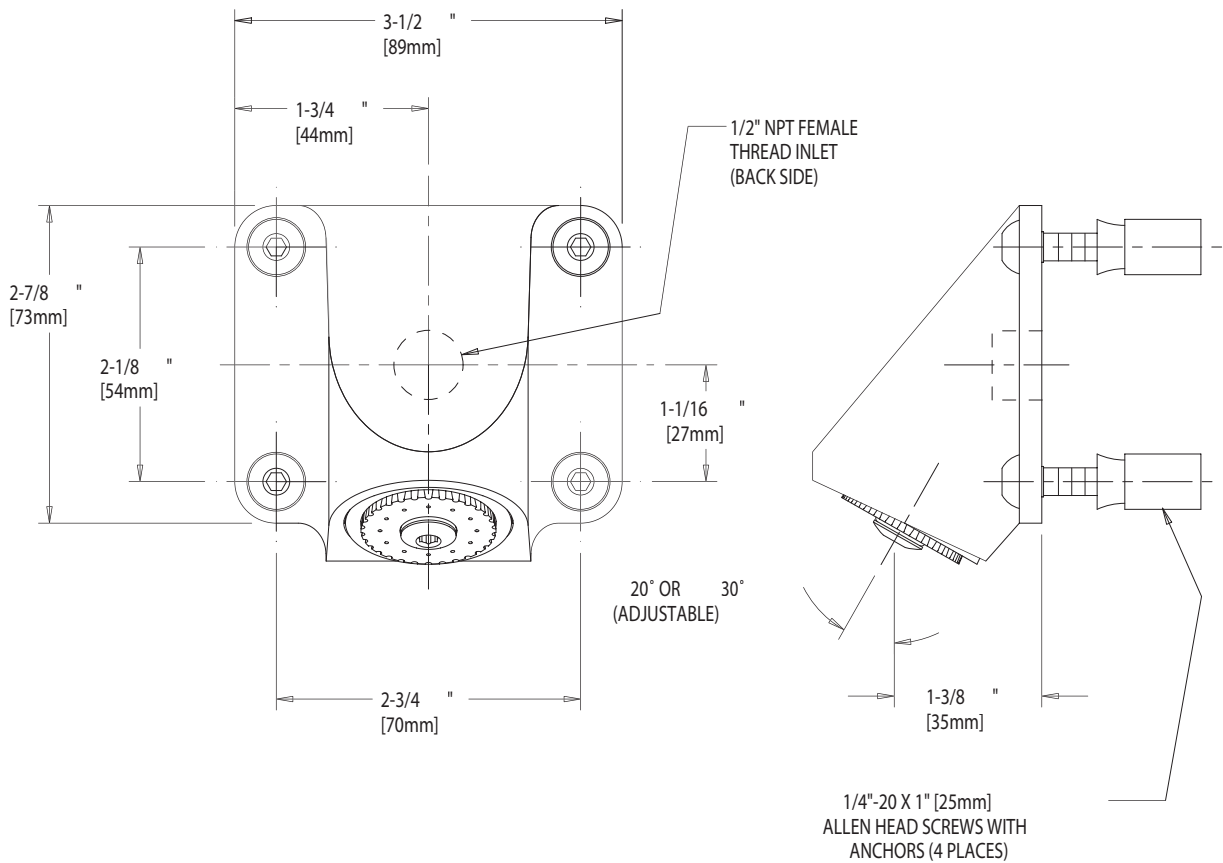
SUBMITTED AS SHOWN

SUBMITTED AS NOTED

SEE ATTACHED FOR  
SUBMITTED MODIFICATION

IS ASSUMED FOR USE OF SUPERCEDED OR VOIDED DATA.

ROUGHING IN DIMENSIONS MAY VARY AND ARE SUBJECT TO CHANGE. NO RESPONSIBILITY



DIMENSIONS IN INCHES AND [MILLIMETERS].

## TECHNICAL DATA

- WALL MOUNTED INSTITUTIONAL SHOWER HEAD
- PRESSURE COMPENSATING FLOW CONTROL
- ADJUSTABLE SPRAY ANGLE 20° OR 30°
- VANDAL RESISTANT MOUNTING
- INTEGRAL FLOW CONTROL
- FINISH: CHROME PLATE

- 2.0 GPM [7.6 L/min.] FLOW RATE
- ASME A112.18.1M COMPLIANT
- CSA B125 COMPLIANT

DATE: 04-29-02

BY: SID

CHK'D:

APP'D:

REV: B

621