

Gyrostream® Body Spray Valve

FEATURES

- Corrosion resistant bronze valve body construction
- 1/2" NPT connection

CODES/STANDARDS

- Meets or exceeds ASME A112.18.1/CSA B125.1
- Certifications: IAPMO(cUPC), State of Massachusetts and others
- Code Compliance: UPC, IPC, NSPC, NPC Canada, and others



PRODUCT SPECIFICATION

The body spray valve shall have a corrosion resistant bronze valve body construction. Product shall have a 1/2" NPT connection. Body spray valve shall be TOTO Model TS1B.



TS1B

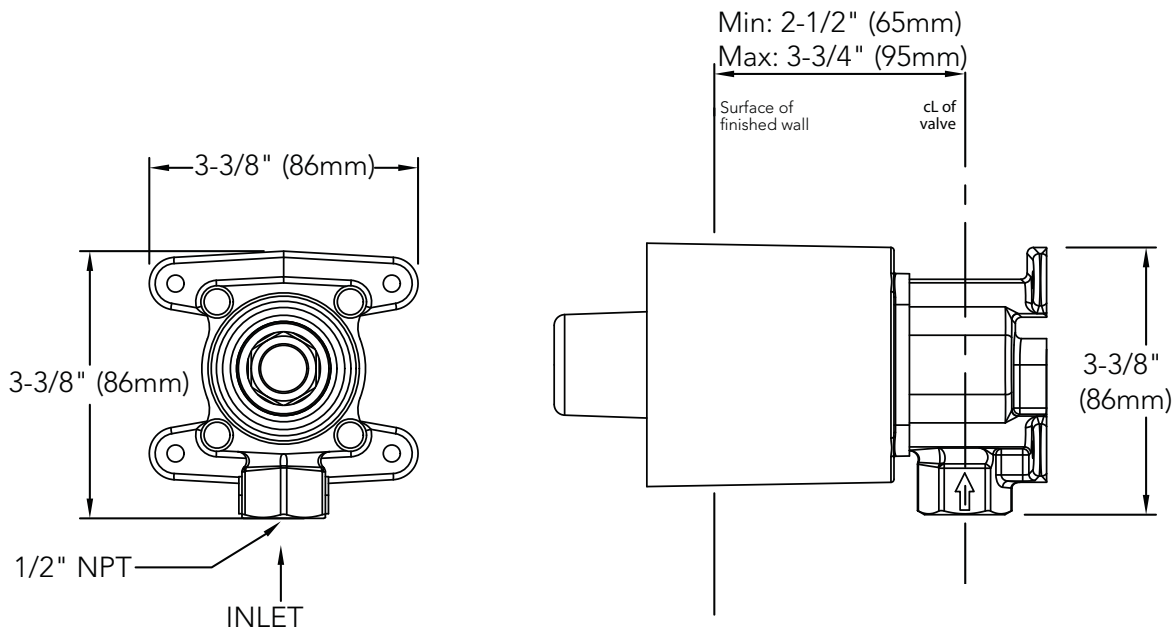
Gyrostream® Body Spray Valve

SPECIFICATIONS

- Warranty Lifetime Limited Warranty (Residential Use)
One Year (Commercial Use)
- Material Bronze
- Shipping Weight 3.0 lbs.
- Shipping Dimensions 7-5/8" L x 5-1/8" W x 6-1/2" H

INSTALLATION NOTES

TRIM REQUIRED:
Gyrostream body spray model TS100J sold separately.



TOTO

These dimensions and specifications are subject to change without notice