

TOTO®

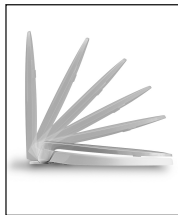
CST784SF Clayton® Traditional Two Piece Toilet, 1.6 GPF



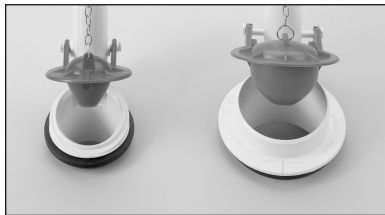
CST784SF - Clayton® Toilet
SS154 - Traditional SoftClose Seat



G-Max Technology:
Quiet, powerful,
commercial
grade flushing
performance.



Choose a SoftClose®
toilet seat, or
upgrade to
a Washlet.



Fast Flush: New, wide 3" flush valve is 125%
larger than conventional 2" flush valves.

- Traditional design, two-piece toilet.
- Universal Height 16-1/8" rim height.
- Wide 2-1/8" computer designed trapway
- G-Max Technology
- Powerful, quiet flush every time
- Large water surface

High profile ADA compliant two-piece toilet with 12" rough-in. Low consumption (6Lpf/1.6Gpf) siphon jet flushing action.

Tank cover, fittings, color matched trip lever, less seat.

■ **CST784SF**
Elongated, less seat. 12" rough-in.

□ **C784SF**
Elongated front bowl only, 12" rough-in.

□ **ST784S**
Clayton® tank and cover only. Complete with tank trim and coupling components.

□ **SS154**
Traditional SoftClose Seat: Traditional styled seat and lid gently close with a touch of the hand. Elongated, closed front seat with lid.

□ **SS114**
Elongated closed front toilet seat and cover with SoftClose hinge system. Mounting hardware included.

Colors:

Standard #01 Cotton

Optional See price book for additional colors

Trip Lever:

Standard Color Matched

Optional See price book for additional finishes

□ **ADA Compliant**
For installation condition with approach from the left hand side.

CST784SF

Clayton® Traditional Two Piece Toilet, 1.6 GPF

■ PERFORMANCE

The TOTO G-Max low consumption toilets received high ratings during ANSI/ASME and CSA testing at independent laboratories. Designed with a powerful siphon jet flushing action, the toilet offers a large water surface and a glazed trapway.

■ SPECIFICATIONS

Water Use: 1.6 Gpf/6.0 Lpf
 Flush System: Gravity Feed
(G-Max System)
 Min. Water Pressure: 8 psi
 Water Surface: 10-5/8" x 8-1/4"
 Trap Diameter: 2-1/8"
 Rough In: 12" rough in
 Trap Seal: 2-3/8"
 Warranty: Five Year Limited Warranty
 Material: Two piece vitreous china bowl and tank

Shipping Weight: **C784SF-Bowl**
 62 lbs.
ST784S-Tank
 36.5 lbs.

Shipping Dimensions: **C784SF-Bowl**
 30"L x 12-1/4"W¹
 x 14-5/8"W² x 18-1/8"H

ST784S-Tank
 22-1/8"L x 10"W
 x 17-3/4"H

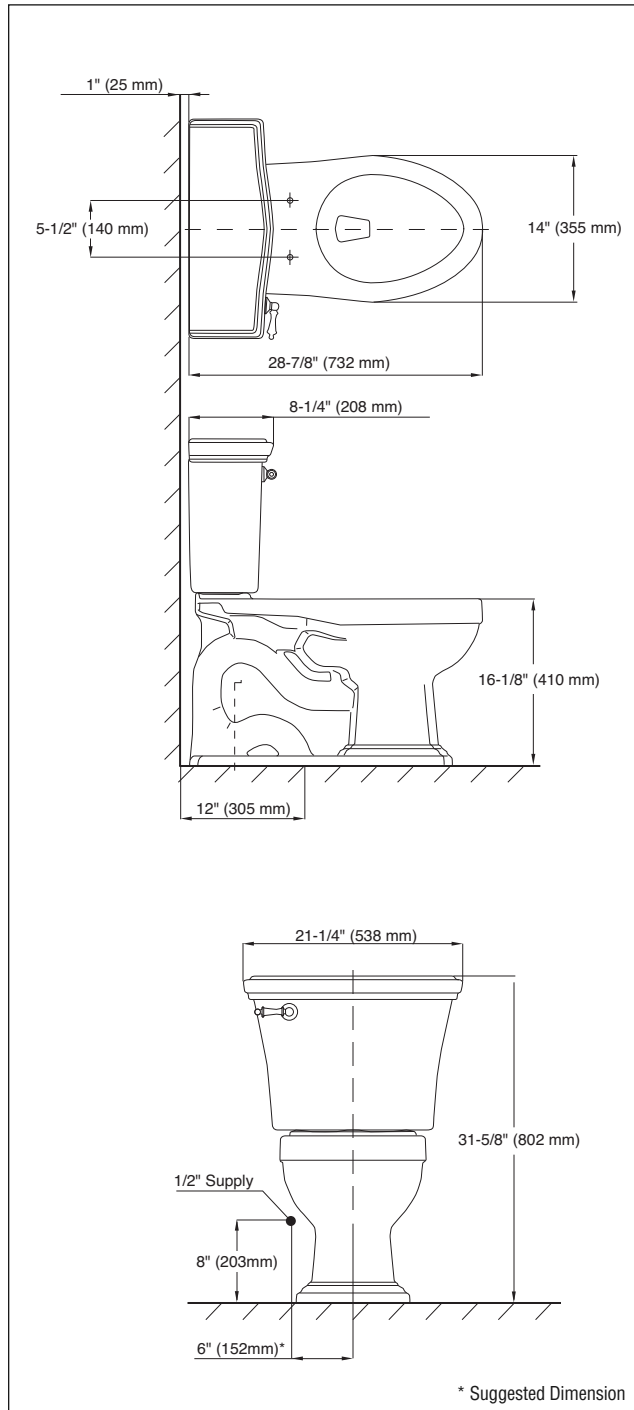
Fixture dimensions and hydraulic performance meet or exceed ANSI/ASME standard A112.19.2M and CAN/CSA B 45 requirements.

Listing / Approvals: IAPMO/UPC, CSA, City of Los Angeles, State of Massachusetts, and others.



Meets the Americans with Disabilities Act Guidelines and ANSI A117.1 requirements where installed so top of seat is 17" from the finished floor. For installation condition with approach from the left hand side. Recommended seat for ADA requirements: TOTO model #SC514.

These dimensions and specifications are subject to change without notice.



CST784SF - Clayton® Toilet
SS154 - Traditional SoftClose Seat

TOTO®

TOTO U.S.A., INC. • 1155 Southern Road, Morrow, GA 30260
 Tel. (770) 282-8686 • Fax. (770) 282-8701 • www.totousa.com
 Printed in U.S.A. © TOTO LTD. 12/02 #A10422

Printed on recycled paper

REV 11/08