



## Product Description

Tempered Frosted Glass Faucet Stand

- Parts and Accessories
- Tempered Natural Glass
- For Above Counter Use
- Patent 6,643,867 B2



## Product Measurements

- Width: 12.875 in (32.703cm)
- Depth: 9.375 in (23.813cm)
- Height: 5.25 in (13.335cm)

## Thank You

Dear Valued Customer,

DECOLAV® would like to take this opportunity to thank you for your purchase – It is our sincere hope that you are completely satisfied with your new product. We welcome and look forward to helping you create another unique look for your next bathroom project.

***Prior to installation, please take a moment to review all provided materials and hardware. For assistance with your new product, please contact our dedicated DECOLAV® customer service staff.***

Sincerely,

Robert H. Mayer  
Chief Executive Officer and President

*Let your dreams come alive,  
Your passions become reality,  
Be the envy of your neighbors™;*



DECOLAV®

*Changing the way you view the bathroom™*

## Before You Begin

1. Prior to installation, unpack your new DECOLAV® product and inspect it. Keep the product in its original package until you are ready to install it.
2. Shut the water supply off when replacing an existing fixture.
3. **Observe all local plumbing and building codes.**



**Tools Required**



Adjustable Wrench



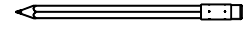
Ruler



Phillips Screwdriver



Flathead Screwdriver



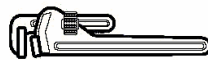
Pencil



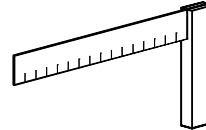
Channel Locks



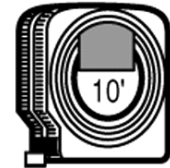
Level



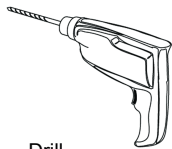
Pipe Wrench



Square

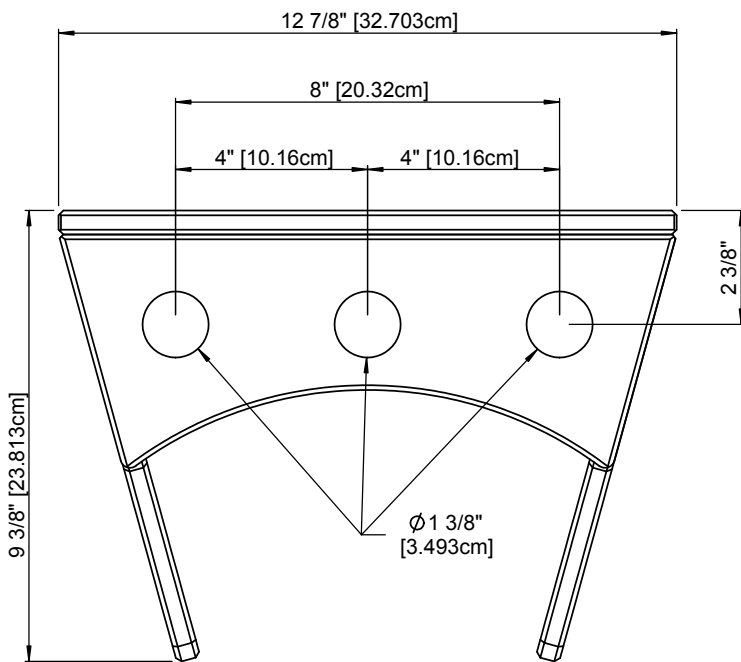


Tape Measure

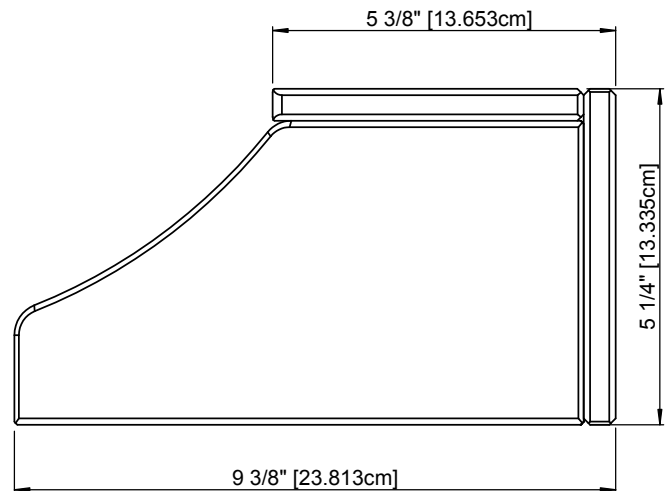


Drill

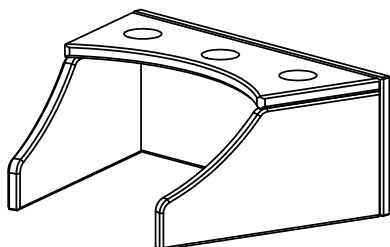
**Roughing-in Dimension**



TOP VIEW



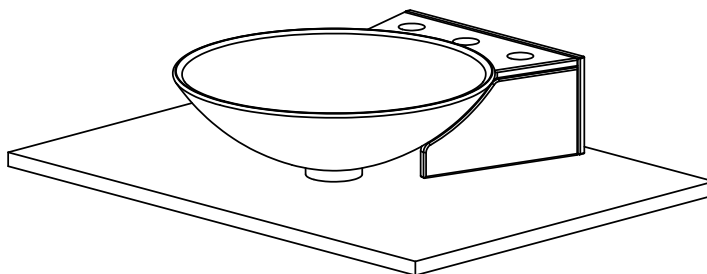
SIDE VIEW

**Parts**

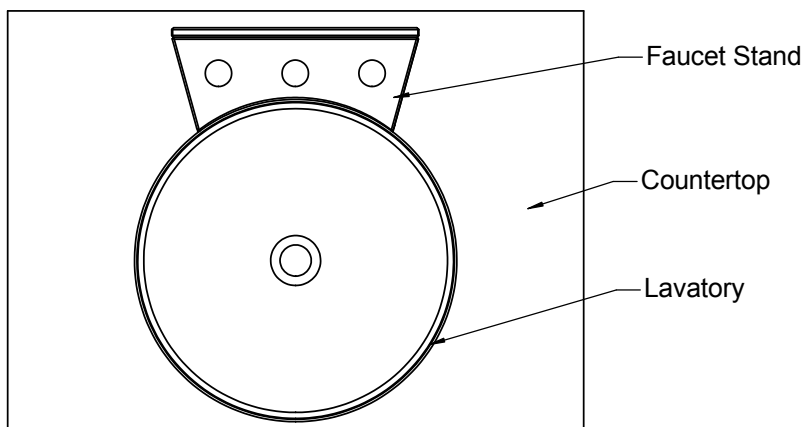
ITEM	DESCRIPTION	Qty
A	Tempered Frosted Glass Faucet Stand	1

**Installation Instructions****• STEP # 1**

- **NOTE: LAVATORY SHOWN, DECOLAV® 1000T TEMPERED FROSTED GLASS VESSEL, IS A RECOMMENDED ACCESSORY AND NOT INCLUDED!**
- Install Lavatory, Drain, and Waste system according to manufacturer's installation instructions.
- Place **Faucet Stand (A)** behind Lavatory as close as possible as shown.

**• STEP # 2**

- Ensure holes in Countertop perfectly align to holes in **Faucet Stand**.
- If holes need to be drilled, mark the area where the **Faucet Stand** has been placed and area where holes will need to be drilled to coincide with **Faucet Stand**. Use **Faucet Stand** as a guide.
- Place **Faucet Stand** at original location.
- **NOTE: DECOLAV RECOMMENDS THAT FAUCET STAND REST COMPLETELY ON COUNTERTOP!**

**• STEP # 3**

- Install faucet and water supply according to manufacturer's provided installation instructions.
- **NOTE: FAUCET AND WATER SUPPLY NOT INCLUDED!**
- Check for leakage



## Care and Cleaning

- **DO NOT** clean the product with Detergents, Acid, Polish, Abrasives, Harsh Cleaners or a cloth with a coarse surface (S.O.S.® Pads, Scotch Brite® Pads). This is good advice for any plumbing fixture regardless of material.
- **DO NOT** allow your DECOLAV® product to unnecessarily encounter other solid objects.
- **DO** clean your DECOLAV® product. Wipe with a damp cloth and dry with a soft cloth. If necessary, a general mild soap and water solution can be used.
- **DO** clean underside of your DECOLAV® product with mild soap and water **ONLY**.
- **DO** wipe your DECOLAV® product with a clean, dry, soft cloth after each use, as it will limit water spots, especially in hard water areas.

## Limited Lifetime Warranty

Any Deco Lav, Inc. ("DECOLAV") product(s), sold after February 1, 2005, will be warranted to the original end consumer to be free of true defect(s) in material and workmanship for life of the product(s) subject to the following restrictions:

- DECOLAV is notified promptly in writing, via fax or mail, by the Retail/Wholesale Purchaser upon discovery of any alleged defect(s) in the product(s), including a detailed description of the alleged defect(s).
- Proof of purchase (original sales receipt) from the original end consumer must be made available to DECOLAV for all warranty claims.
- Authorized DECOLAV personnel has inspected the product(s) and determined the product(s) to have true manufacturing defect(s).
- Such product(s) are returned to DECOLAV (unless other arrangements satisfactory to DECOLAV have been agreed upon).

This Limited Lifetime Warranty is non-transferable and applies only to the original end consumer and to the original installation of the product(s). This Limited Lifetime Warranty is void if the product(s) has been moved from its initial installation site or if ownership of the product(s) has changed.

**THIS LIMITED LIFETIME WARRANTY DOES NOT COVER ANY DAMAGES CAUSED BY SHIPPING, MISUSE, ABUSE, ACCIDENTS, NEGLIGENCE, UNAUTHORIZED REPAIRS OR ALTERATIONS, MODIFICATIONS, USE OF OTHER THAN GENUINE DECOLAV REPLACEMENT PARTS, DIRT, LIME SCALE, AND OTHER MINERALS, SCUFFS AND SCRATCHES, EXPOSURE TO MARINE AREAS, ABNORMAL USAGE, AND NORMAL WEAR AND TEAR. ANY IMPROPER INSTALLATION, IMPROPER MAINTENANCE, IMPROPER HANDLING, IMPROPER AND CONTRARY USES NOT STATED WITHIN INSTRUCTIONS, AND ALL ACTS BEYOND DECOLAV'S CONTROL WILL VOID THIS LIMITED LIFETIME WARRANTY.**

DECOLAV's product(s) are produced from natural raw materials and there is a slight color variance. This is **NOT** a manufacturing defect(s) and will not be covered under this Limited Lifetime Warranty.

This Limited Lifetime Warranty does not apply to local building code compliance. Since local building codes vary considerably, the original end consumer of the product(s) should check with a local building or plumbing contractor to ensure local code compliance before installation.

This Limited Lifetime Warranty does not cover any mechanical pieces of any DECOLAV product(s). These mechanical pieces will be covered under a Limited One Year Warranty, based on the same criteria as this Limited Lifetime Warranty, from the date of the initial purchase.

Upon satisfaction of each of the foregoing conditions and requirements, DECOLAV shall, at its option, either repair or replace such defective product(s). DECOLAV shall return any product(s) repaired or replaced under this Limited Lifetime Warranty to the original end consumer transportation prepaid. All Closeout/Discontinued product(s), at time of claim, will either be repaired or replaced with a comparable item.

DECOLAV's option to repair or replace the product(s) under this Limited Lifetime Warranty does not cover any cost of labor, installation, usage and delay time, or other costs of removal or installation whatsoever. **IN NO EVENT WILL DECOLAV BE LIABLE FOR THE COST OF REPAIR OR REPLACEMENT OF ANY INSTALLATION MATERIALS, INCLUDING BUT NOT LIMITED TO, TILES, MARBLE, ETC.**

This Limited Lifetime Warranty does not cover any liability for consequential or incidental damages, all of which are hereby expressly disclaimed, or the extension beyond the duration of this Limited Lifetime Warranty.

THE WARRANTIES HEREIN (A) ARE EXCLUSIVE AND STATED IN LIEU OF ALL OTHER WARRANTIES, WHETHER EXPRESS, STATUTORY, OR IMPLIED, INCLUDING BUT NOT LIMITED TO THE WARRANTIES OF MERCHANTABILITY AND FITNESS FOR AN INTENDED PURPOSE, ALL OF WHICH ARE HEREBY EXPRESSLY DISCLAIMED; (B) NEITHER ASSUME NOR AUTHORIZE PURCHASER NOR ANY OTHER PARTY TO ASSUME FOR DECOLAV ANY OTHER LIABILITIES IN CONNECTION WITH THE MANUFACTURE OR SALE OF PRODUCTS; AND (C) ARE SUBJECT TO THE LIMITATIONS ON DAMAGES AS SET FORTH ABOVE