



PRODUCT DESCRIPTION

5253 Series 22" Wall Cabinet

- Available in Antique White (AWH) or Mahogany (MMG) Finish
- Solid Wood Frame
- Curved Front Doors
- Satin Nickel Hardware
- Adjustable Interior Shelf

PRODUCT MEASUREMENTS

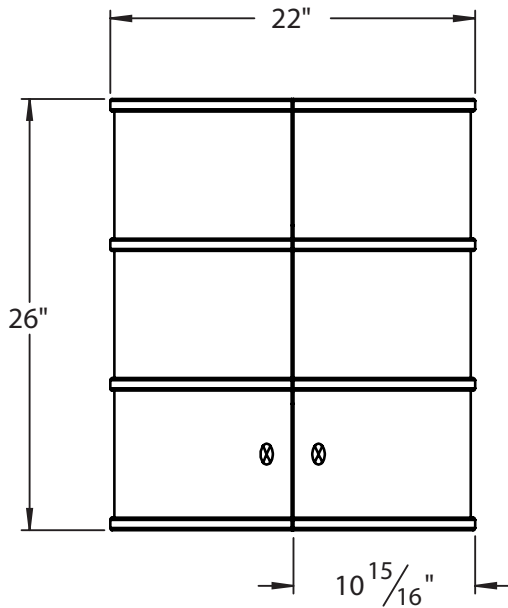
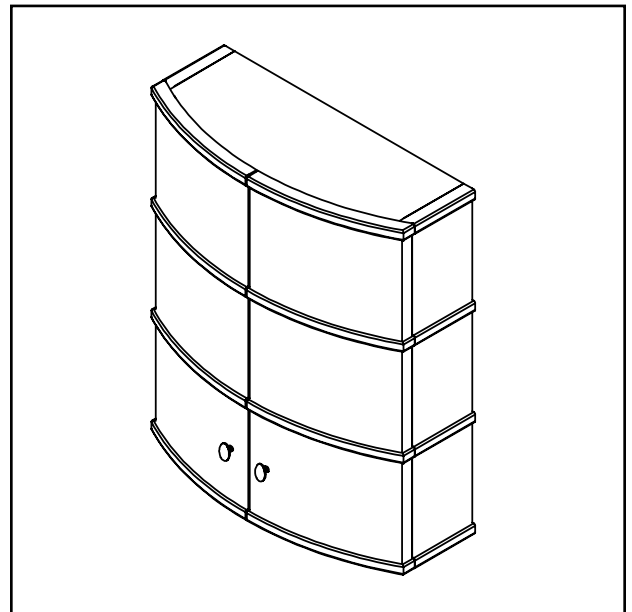
- Width: 22"
- Depth: 8.75"
- Height: 26"

RECOMMENDED ACCESSORIES

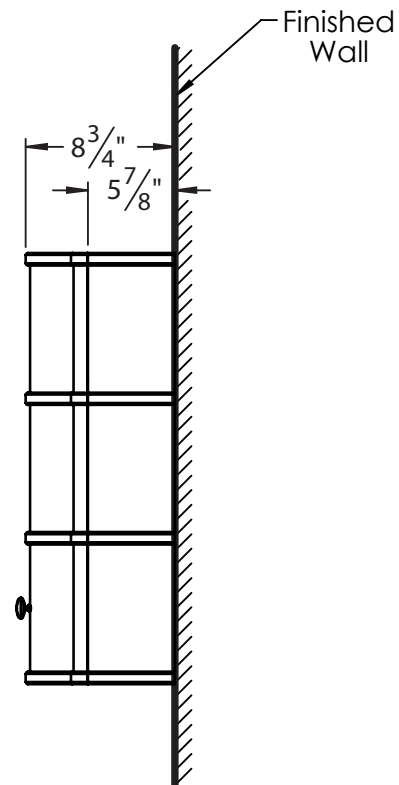
- 5252 Vanity
- 9715 Mirror

ROUGHING-IN DIMENSIONS

Please Note: All drawings contain the necessary measurements which are subject to standard industry tolerances. They are stated in inches and are non-binding. Exact measurements, in particular for customized installation scenarios, can only be taken from the finished product.



FRONT VIEW



SIDE VIEW