



PRODUCT DESCRIPTION

9713 Series 30" Medicine Cabinet

- Available in Espresso (ESP) or Maple (MPL) Finish
- Includes Wall Cleat For Easy Installation
- Two Mirrored Storage Cavities with Adjustable Glass Shelves
- Three Open Storage Shelves

PRODUCT MEASUREMENTS

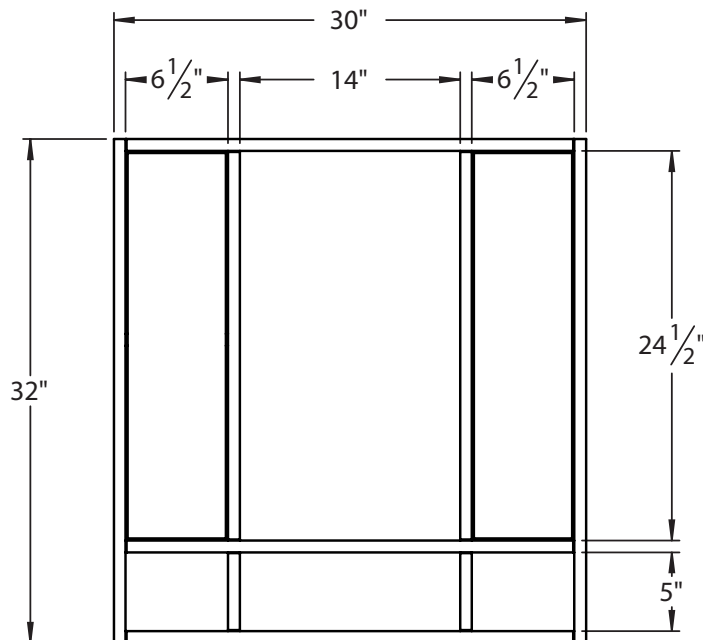
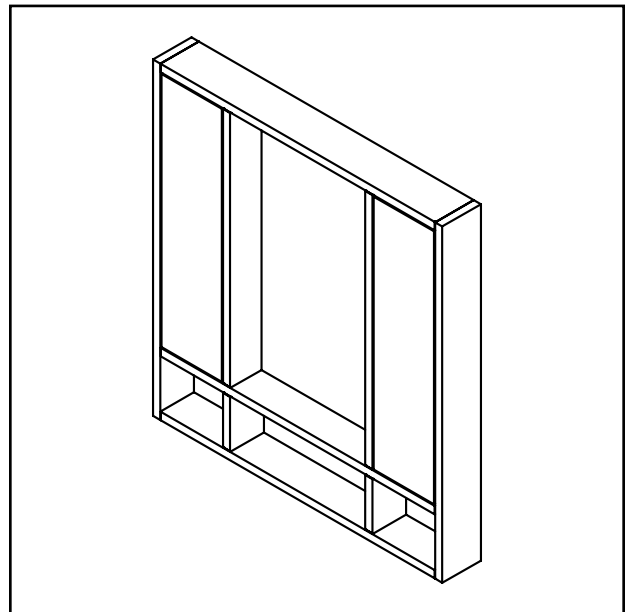
- Width: 30"
- Depth: 4"
- Height: 32"

RECOMMENDED ACCESSORIES

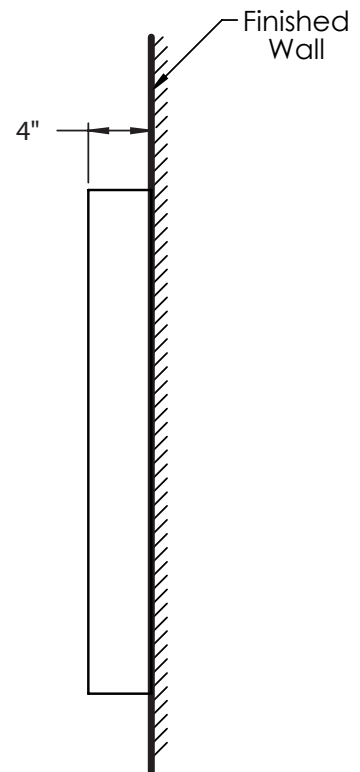
- 5247 Vanity Set
- 5248 Wall Cabinet

ROUGHING-IN DIMENSIONS

Please Note: All drawings contain the necessary measurements which are subject to standard industry tolerances. They are stated in inches and are non-binding. Exact measurements, in particular for customized installation scenarios, can only be taken from the finished product.



FRONT VIEW



SIDE VIEW