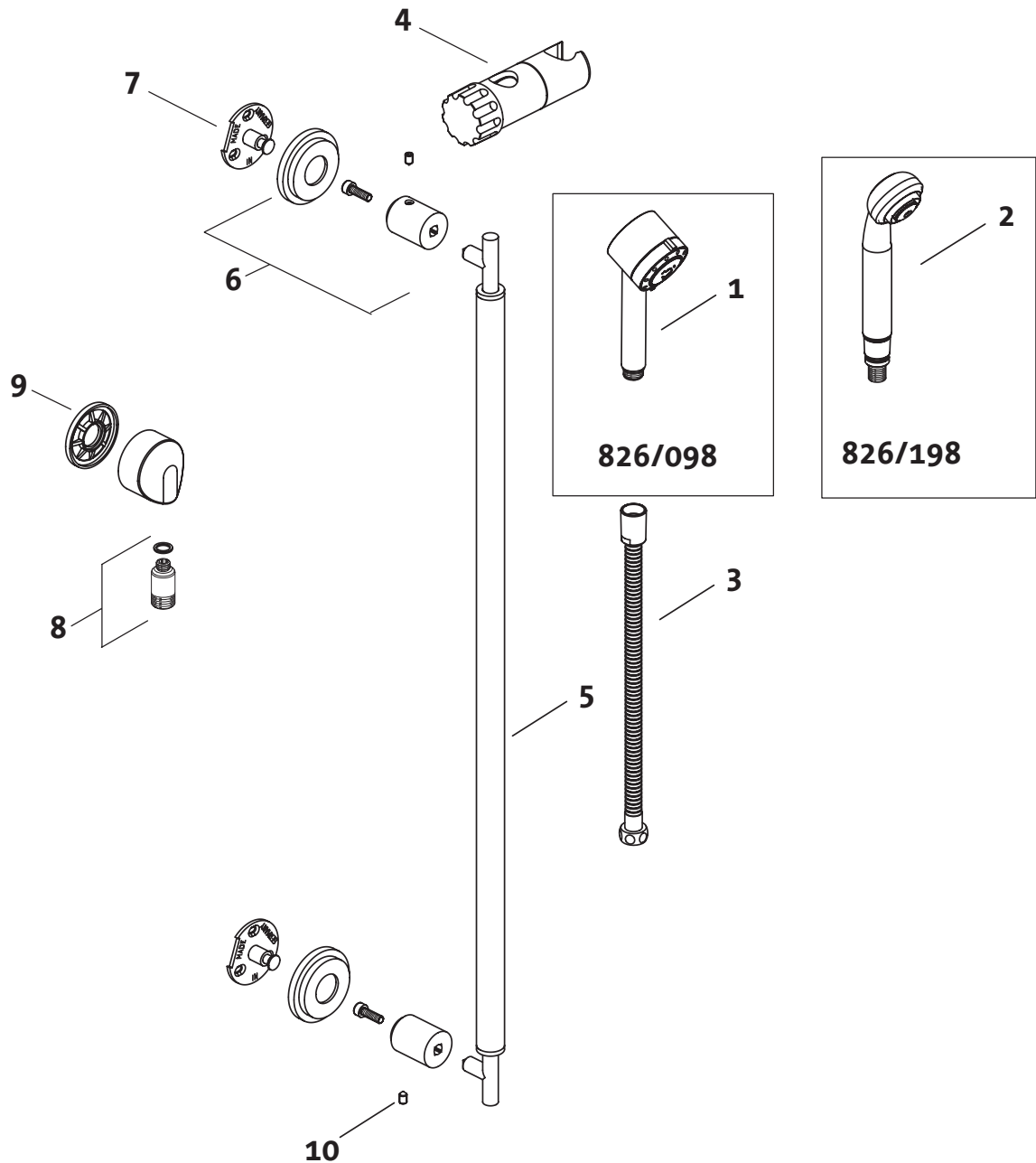


New Haven

Complete Personal Hand Shower Set on Adjustable Bar

826/034/... 826/098/... 826/198/...

JADO



Replace "XXX" with the appropriate finish code:

Polished Chrome = 100, Brushed Nickel = 144, Platinum Nickel = 150, UltraSteel = 355

Example Repair Part order:

H960317.100 in Polished Chrome
H960317.355 in UltraSteel

Pos.	Description	Repair Part Number	Delivery quantity	Pos.	Description	Repair Part Number	Delivery quantity
1	Hand Shower	861006.XXX	1 Piece	6	Shower Bar End	H961605.XXX	1 Piece
2	Hand Shower	861008.XXX	1 Piece	7	Mounting Bracket	H960877.191	1 Piece
3	Spray Hose	H960317.XXX	1 Piece	8	Hose Connection	H961273.XXX	1 Piece
4	Hand Shower Bracket	H960536.XXX	1 Piece	9	Seal	H961274.191	1 Piece
5	Shower Rod	H961604.XXX	1 Piece	10	Set Screw	H961606.191	1 Piece