



Features:

- Cast Brass valves
- Ceramic disc valve cartridge
- Adjustable hot limit safety stop
- Pressure Balance cartridge maintains constant output temperature in response to changes in relative hot and cold supply pressures
- Multi-functional showerhead

Showerhead Maximum Flow Rate: 2.5 GPM (9.5L/min)

Kit Options	Handle Type	Product Number
Shower Set	Lever	820/451
PB Shower Valve Set	Lever	820/131



Rough & Trim Options	Handle Type	Product Number
Shower Set Trim Only*	Lever	820/486
PB Shower Valve Set Trim Only**	Lever	820/536
Showerhead Only		820/082
Rough Only		899/260/191



Available Finishes:	Finish Code
Polished Chrome	100
Old Bronze	105
Brushed Nickel	144
Platinum Nickel	150

* Includes Pressure Balance Shower Valve Trim & Showerhead

**Pressure Balance Shower Valve Trim Only

ROUGH-IN DIAGRAM SHOWN ON REVERSE SIDE


CODES & STANDARDS

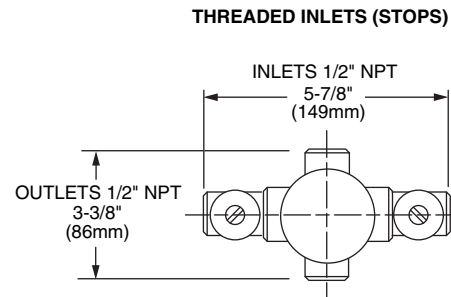
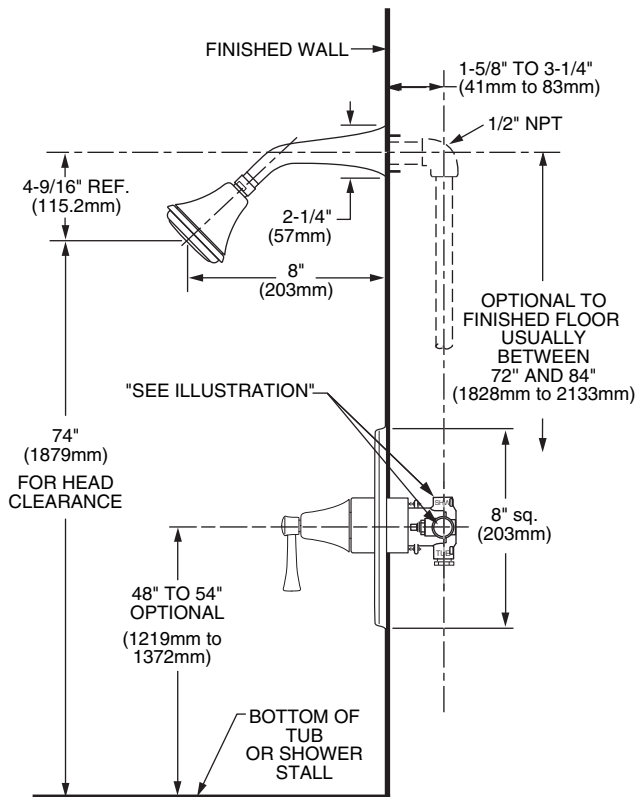
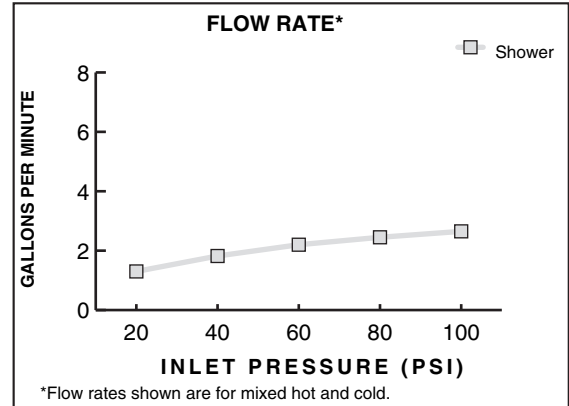
These products meet and exceed the following codes and standards:

ASME A112.18.1

CSA B125

ASSE1016

 Meets the American Disabilities Act Guidelines and **ANSI A117.1** Requirements for the physically challenged.



IMPORTANT: These measurements are subject to change or cancellation. No responsibility is assumed for use of superseded or voided pages.