

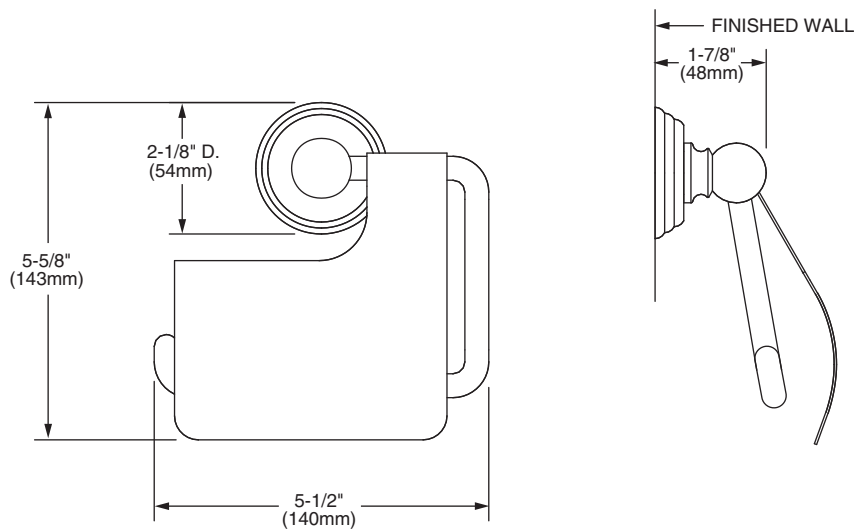
### Features:

- Solid Brass Construction
- Concealed Mounting



	Product Number
Tissue Holder	033/140
Hooded Tissue Holder	033/145

Available Finishes:	Finish Code
Polished Chrome	100
Old Bronze	105
Brushed Nickel	144
Platinum Nickel	150
Diamond (PVD)	167



**IMPORTANT:** These measurements are subject to change or cancellation. No responsibility is assumed for use of superseded or voided pages.