



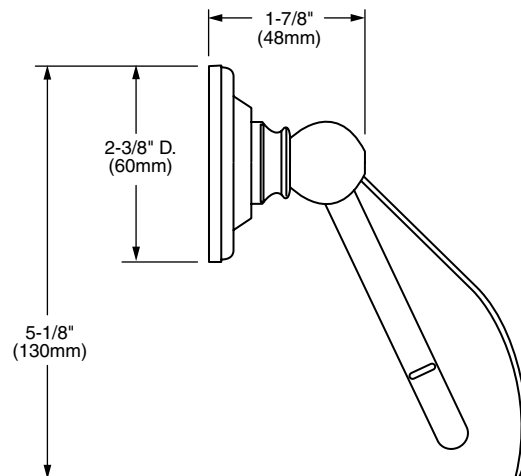
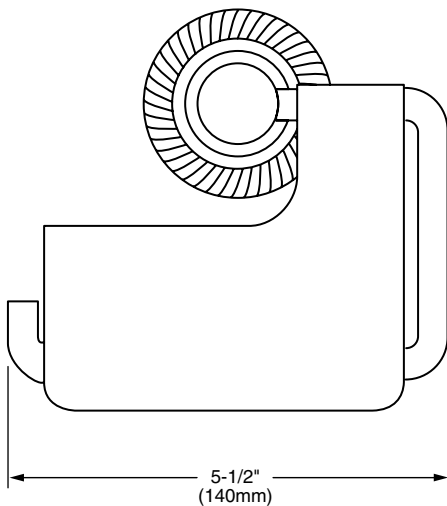
Features:

- Solid Brass Construction
- Concealed Mounting

Pictured: 016/145 Hooded Tissue Holder

| | Product Number |
|----------------------|----------------|
| Tissue Holder | 016/140 |
| Hooded Tissue Holder | 016/145 |

| Available Finishes: | Finish Code |
|---------------------|-------------|
| Old Bronze | 105 |
| UltraBrass | 113 |
| Brushed Nickel | 144 |
| Platinum Nickel | 150 |
| Diamond (PVD) | 167 |



IMPORTANT: These measurements are subject to change or cancellation. No responsibility is assumed for use of superseded or voided pages.