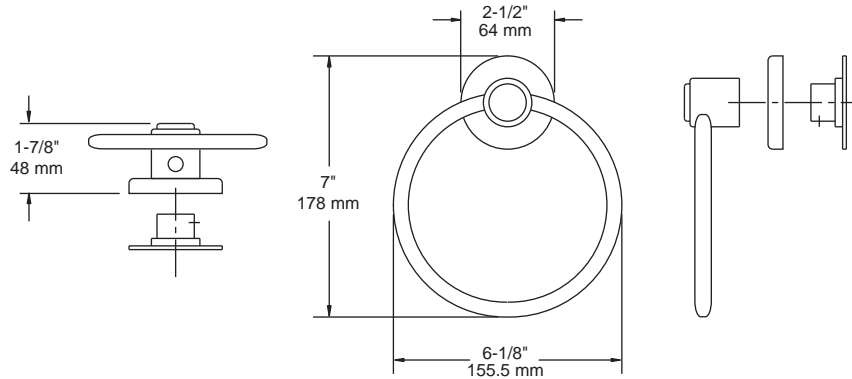


# Tempra®

## TOWEL RING



**MATERIALS:** Wall Flange and Projecting Post - Stamped Brass  
Ring - 3/8" Diameter .025 Brass Tubing  
Wall Plate - 1/8" Thick Die Cast Zinc with 1" Diameter Projecting Stud

**INSTALLATION:** Mount wall plate bracket(s) per installation instructions with supplied fasteners. Slip product over wall plate(s) and tighten set screws until secure.

**OPTIONAL FASTENER INFORMATION:**  
Wood blocking is preferable behind all wall surfaces. If wood blocking is not available, the following fasteners are suggested: Tile/Masonry - Plastic or Lead Anchors, Plaster/Drywall - Toggle Bolts.

**SPECIFICATION:** Surface mounted towel ring shall be model \_\_\_\_\_  
(fill in model number) by Liberty Hardware Manufacturing Corporation.

**FranklinBrass®**  
A Liberty Hardware Brand