

**Dual Handle Kitchen Faucet
Model LKD2423BHC****FEATURES****Model LKD2423BHC**

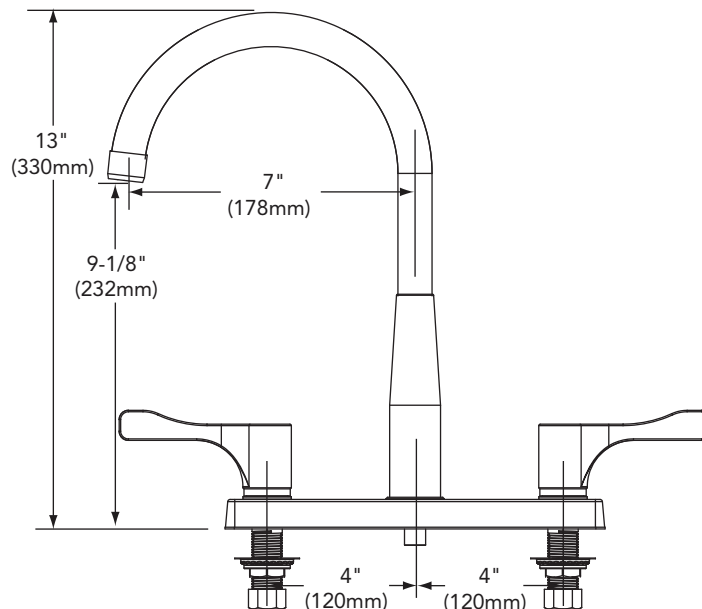
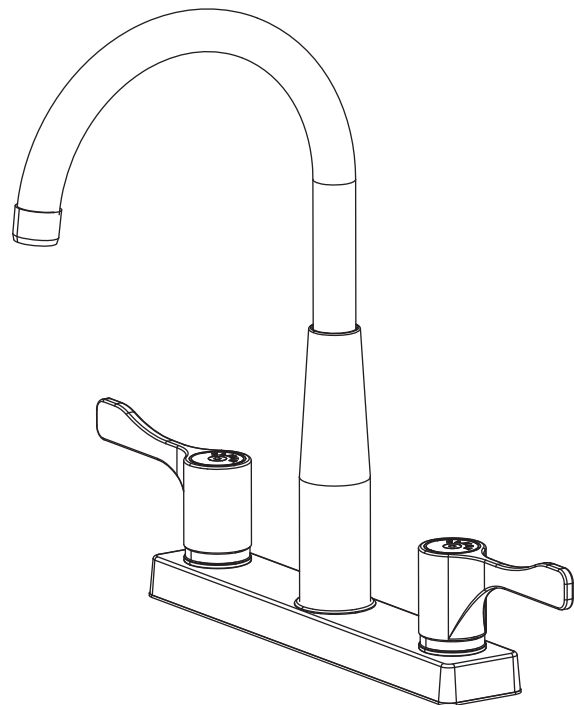
- Three hole, dual handle top mount kitchen faucet
- Three 1-1/4" (32mm) diameter faucet holes required
- Maximum counter top thickness is 1-1/8" (29mm)
- 360° swing spout with aerator and brass escutcheon
- Highly polished, chrome plated finish
- 4" (102mm) blade handles
- Removable cartridge
- 1/2" (13mm) I.P. connections on 8" (203mm) centers
- Ship Wt. 6 lbs. (2.7Kg)
- Maximum flow rate
 - 2.5 GPM/9.5 L/min at 80 P.S.I.G.
 - 2.2 GPM/8.3 L/min at 60 P.S.I.G.

WARRANTY

- Limited Lifetime

COMPLIES WITH:

- ADA
- ANSI/NSF61 - Certified
- ASME A112.18.1/CSA B125-01
- CA AB1953/VT S152

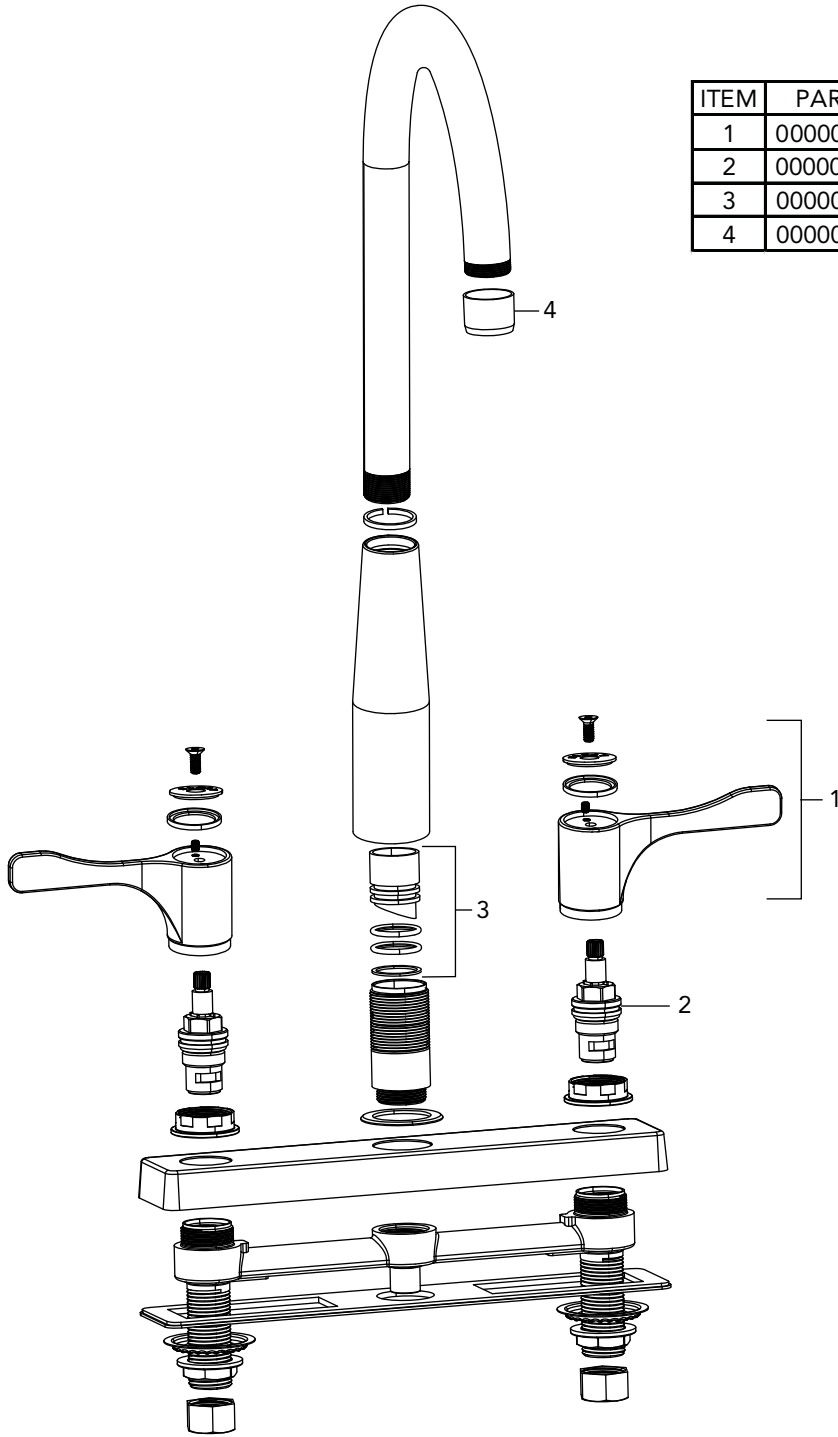


SEE OTHER SIDE FOR REPLACEMENT PARTS



REPLACEMENT PARTS

Dual Handle Kitchen Faucet
Model LKD2423BHC



ITEM	PART #	DESCRIPTION
1	0000000679	4" Handle Kit
2	0000000683	Cartridges
3	0000000686	360° Swing Spout Repair Kit
4	0000000688	Aerator