

ELKAY® SPECIFICATIONS

Gourmet Undermount Single Bowl Sink Model ELUH2317

NEW ELUH Installation Options

ELUH models have been redesigned to accommodate 1/2" reveal and no reveal installation options.

GENERAL

Highest quality sink formed of #18 (1.2mm) gauge, type 304 (18-8) nickel bearing stainless. Undermount.

DESIGN FEATURES

Bowl Depth: 8" (203mm) (ELUH2317); 10" (254mm) (ELUH231710); 12" (305mm) (ELUH231712)

Finish: Exposed surfaces are hand polished to a Lustrous Highlighted Satin finish.

Underside: Fully protected by Sound Guard® undercoating to reduce condensation and dampen sound.

OTHER

Drain Opening: 3-3/8" (86mm).

NOTE: All Elkay undermount sinks are designed to affix to the underside of any solid surface countertop.

Sink complies with ASME A112.19.3/ CSA B45.4



Sinks are listed by IAPMO® as meeting the applicable requirements of the Uniform Plumbing Code®, International Plumbing Code®, and National Plumbing Code of Canada.

OPTIONAL ACCESSORIES

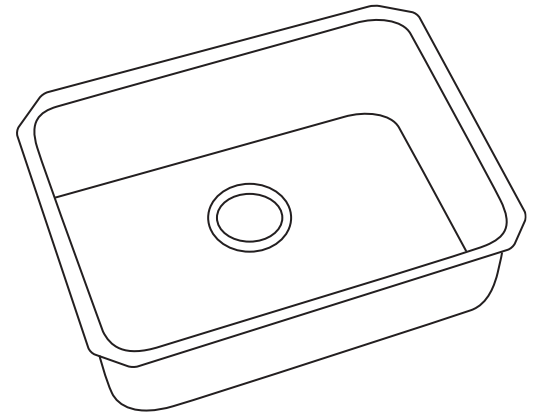
Bottom Grid: LKWOBG2317SS, LKWOBG2317LSS, LKWOBG2317RSS

Cutting Board: (Reveal mount only) LKCB2317HW

Rinsing Basket: LKWWRB2115SS, LKWWRBSS

Mounting Clip: LKUCLIP8

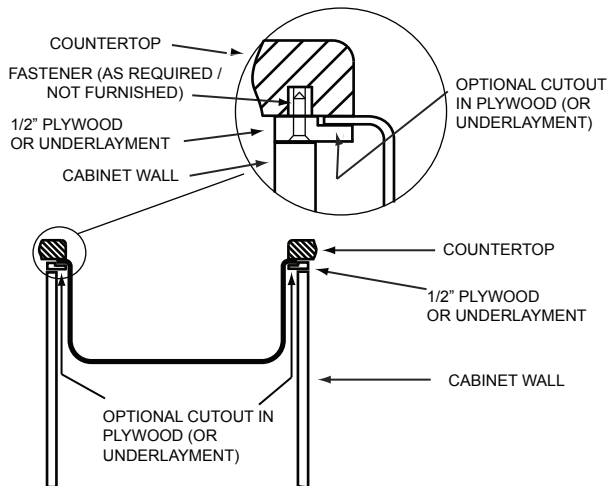
Utensil Caddy for Rinsing Basket: LKWUCSS.



Model ELUH2317



Installation Profile for ELUH models for 27" wide cabinets (FRONT INSTALLATION VIEW)

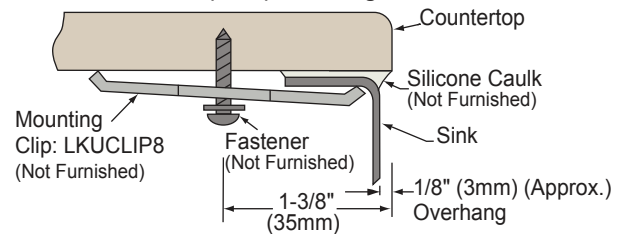


Installation Profile for ELUH models for 30" and wider cabinets

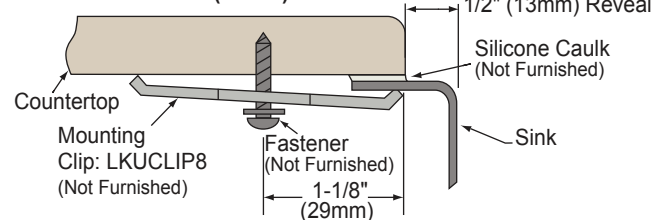
The template provided with each ELUH sink provides the installation recommended by Elkay for 30" wide cabinets and wider.

Installation Profile

1/8" (3mm) Overhang



1/2" (13mm) Reveal



In keeping with our policy of continuing product improvement, Elkay reserves the right to change product specifications without notice. Please visit elkay.com for the most current version of Elkay product specification sheets.

This specification describes an Elkay product with design, quality, and functional benefits to the user. When making a comparison of other producers' offerings, be certain these features are not overlooked.

ELKAY® SPECIFICATIONS

Gourmet Undermount Single Bowl Sink Model ELUH2317

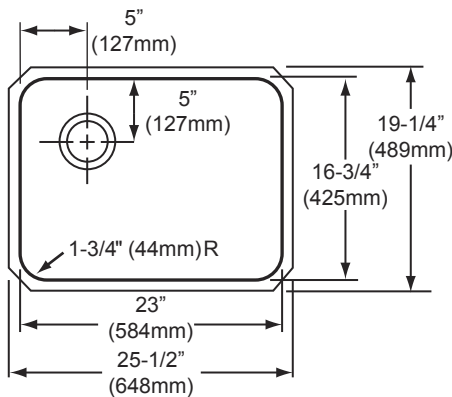
SINK DIMENSIONS*

Model Number	Overall		Inside Bowl			Cutout in Countertop	3 1/2" drain opening (see below for details)	Minimum Cabinet Size
	L	W	L	W	D			
ELUH2317	25½ (648mm)	19¼ (489mm)	23 (584mm)	16¾ (425mm)	8 (203mm)	See Template**	Rear Center	27"/30" † (686mm/762mm)
ELUH2317L	25½ (648mm)	19¼ (489mm)	23 (584mm)	16¾ (425mm)	8 (203mm)		Rear Left	27"/30" † (686mm/762mm)
ELUH2317R	25½ (648mm)	19¼ (489mm)	23 (584mm)	16¾ (425mm)	8 (203mm)		Rear Right	27"/30" † (686mm/762mm)
ELUH231710	25½ (648mm)	19¼ (489mm)	23 (584mm)	16¾ (425mm)	10 (254mm)		Rear Center	27"/30" † (686mm/762mm)
ELUH231710L	25½ (648mm)	19¼ (489mm)	23 (584mm)	16¾ (425mm)	10 (254mm)		Rear Left	27"/30" † (686mm/762mm)
ELUH231710R	25½ (648mm)	19¼ (489mm)	23 (584mm)	16¾ (425mm)	10 (254mm)		Rear Right	27"/30" † (686mm/762mm)

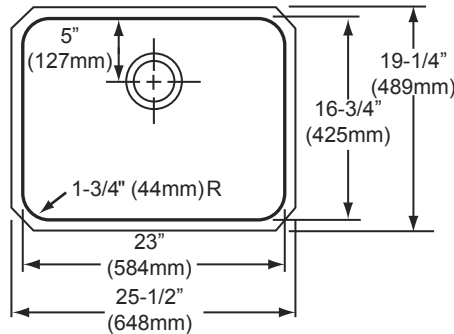
* Length is left to right. Width is front to back.

** Template 1000001308 is packed with every sink.

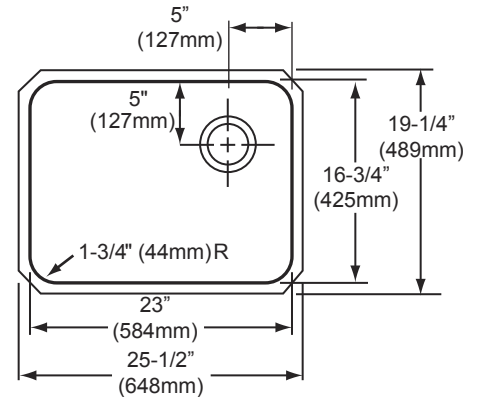
† A 27" cabinet size will require a unique installation as illustrated.



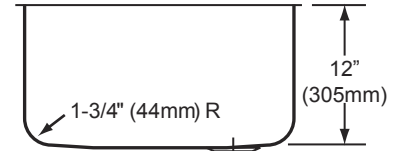
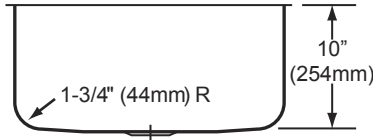
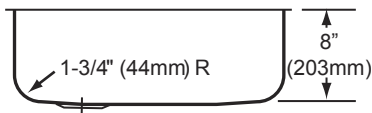
Model ELUH2317L Illustrated



Model ELUH231710 Illustrated



Model ELUH231712R Illustrated



In keeping with our policy of continuing product improvement, Elkay reserves the right to change product specifications without notice. Please visit elkay.com for the most current version of Elkay product specification sheets.

This specification describes an Elkay product with design, quality, and functional benefits to the user. When making a comparison of other producers' offerings, be certain these features are not overlooked.