

# ELKAY<sup>®</sup>

## SPECIFICATIONS

### Gourmet Undermount Double Bowl Sink with Work Shelf Models ELUHWS3118 and ELUHWS311810

#### NEW ELUH Installation Options

ELUH models have been redesigned to accommodate 1/2" reveal and no reveal installation options.

#### GENERAL

Highest quality sink formed of #18 (1.2mm) gauge, type 304 (18-8) nickel bearing stainless steel. 2 LKWS1316SS Work Shelves included. Undermount.

#### DESIGN FEATURES

Bowl Depths: 7-7/8" (200mm) (ELUHWS3118), 10" (254mm) (ELUHWS311810).

Coved Corners: 1-3/4" (44mm) vertical and horizontal radius.

Finish: Exposed surfaces are hand blended to a Lustrous Highlighted Satin finish.

Underside: Underside of sink is fully protected by heavy duty Sound Guard™ undercoating to reduce condensation and dampen sound.

Smart Support System: Located 4-1/2" (114mm) from the top of the sink to allow use of the LKWS1316SS Work Shelf.

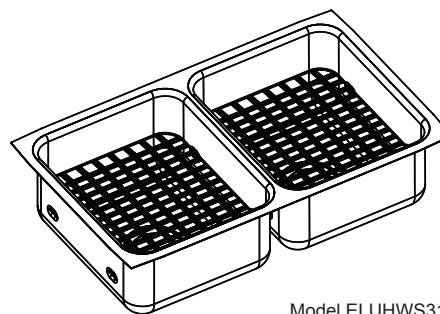
#### OTHER

Drain Opening: 3-1/2" (89mm).

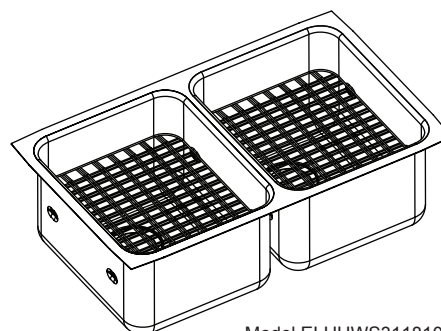
Note: All Elkay undermount sinks are designed to affix easily to the underside of any surface countertop.

Sink complies with ASME A112.19.3/ CSA B45.4

 Sinks are listed by IAPMO® as meeting the applicable requirements of the Uniform Plumbing Code®, International Plumbing Code®, and National Plumbing Code of Canada.



Model ELUHWS3118



Model ELUHWS311810

#### ACCESSORIES\*

Model Number	Description	Bowl	Overall			Material / Finish
			L	W	Depth/Thickness	
LKWS1316SS	Work Shelf	Both	13 <sup>5</sup> / <sub>16</sub> " (338mm)	15 <sup>3</sup> / <sub>4</sub> " (400mm)	1/4" (6mm)	Polished Stainless Steel

\*Length is left to right. Width is front to back.

#### OPTIONAL ACCESSORIES

Bottom Grid: LKWOBG1316SS

Cutting Boards: (All cutting boards for reveal mount only) CB1613, CB1713, CBR1316, CBS1316

Drain: LK99

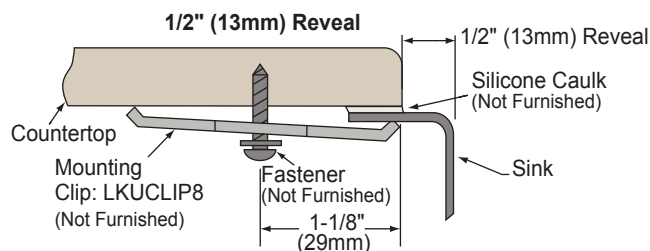
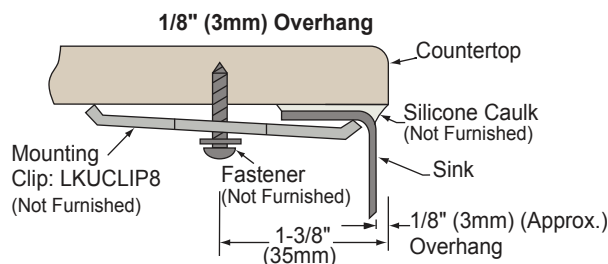
Mounting Clip: LKUCLIP8 (2 packages required)

Rising Baskets: LKWWRB1316SS, LKWWRBSS

Utensil Caddy for Rinsing Basket: LKWUCSS



#### Installation Profile



In keeping with our policy of continuing product improvement, Elkay reserves the right to change product specifications without notice. Please visit [elkay.com](http://elkay.com) for the most current version of Elkay product specification sheets.

This specification describes an Elkay product with design, quality, and functional benefits to the user. When making a comparison of other producers' offerings, be certain these features are not overlooked.

**Gourmet Undermount  
Double Bowl Sink with Work Shelf  
Models ELUHWS3118 and ELUHWS311810**

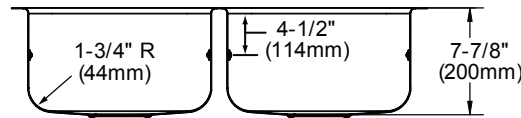
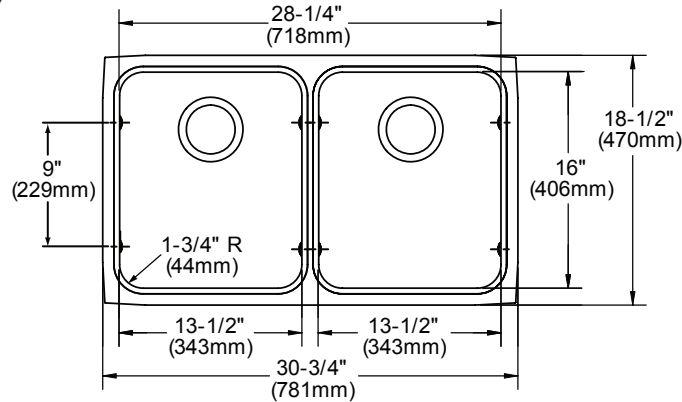
**ELKAY®  
SPECIFICATIONS**

**SINK DIMENSIONS\***

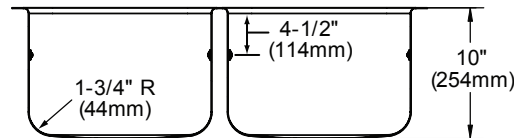
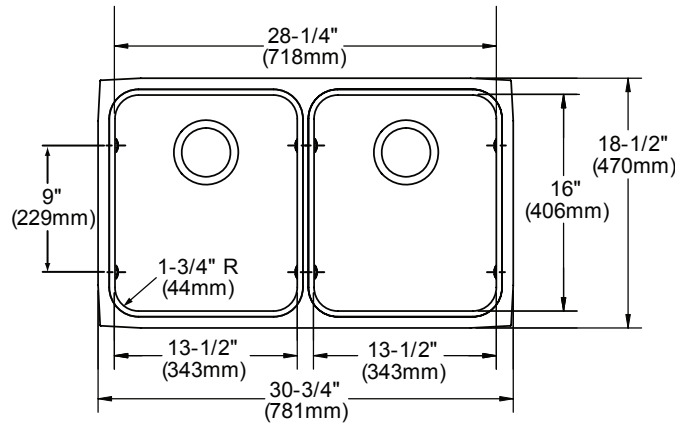
Model Number	Overall		Inside Left Bowl			Inside Right Bowl			Cutout in Countertop	Minimum Cabinet Size
	L	W	L	W	D	L	W	D		
ELUHWS3118	30 <sup>3</sup> / <sub>4</sub> (781mm)	18 <sup>1</sup> / <sub>2</sub> (470mm)	13 <sup>1</sup> / <sub>2</sub> (343mm)	16 (406mm)	7 <sup>7</sup> / <sub>8</sub> (200mm)	13 <sup>1</sup> / <sub>2</sub> (343mm)	16 (406mm)	7 <sup>7</sup> / <sub>8</sub> (200mm)	See Template**	36 (914mm)
ELUHWS311810	30 <sup>3</sup> / <sub>4</sub> (781mm)	18 <sup>1</sup> / <sub>2</sub> (470mm)	13 <sup>1</sup> / <sub>2</sub> (343mm)	16 (406mm)	10 (254mm)	13 <sup>1</sup> / <sub>2</sub> (343mm)	16 (406mm)	10 (254mm)		36 (914mm)

\*Length is left to right. Width is front to back.

\*\*Template #1000001312 is packed with every sink.



Model ELUHWS3118



Model ELUHWS311810

In keeping with our policy of continuing product improvement, Elkay reserves the right to change product specifications without notice. Please visit [elkay.com](http://elkay.com) for the most current version of Elkay product specification sheets.

This specification describes an Elkay product with design, quality, and functional benefits to the user. When making a comparison of other producers' offerings, be certain these features are not overlooked.