

ELKAY® SPECIFICATIONS

Lustertone® Oval Lavatory Without Faucet Ledge Model LLVR1310

GENERAL

Highest quality. Sink bowl is seamlessly drawn of #18 (1.2mm) gauge, type 304 (18-8) nickel bearing stainless steel. Top Mount.

DESIGN FEATURES

Bowl Depth: 5-3/4" (146mm).

Finish: Exposed surfaces are hand blended to a Lustrous Highlighted Satin finish.

Underside: Underside of sink is fully protected to reduce condensation and deaden sound.

OTHER

Drain Opening: 1-5/8" (41mm), 2-1/4" (57mm) O.D. at top of countersink.

Overflow: Sink comes with LKF293 Overflow Assembly.

Sink complies with ASME A112.19.3/ CSA B45.4



Sinks are listed by IAPMO® as meeting the applicable requirements of the Uniform Plumbing Code®, International Plumbing Code®, and National Plumbing Code of Canada.



These sinks are compliant to ADA and ANSI/ICC A117.1 accessibility requirements when installed according to the requirements outlined in these standards.

OPTIONAL ACCESSORIES

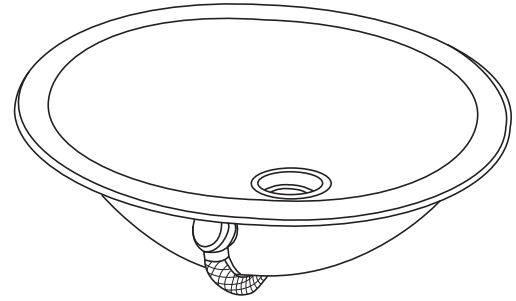
Drains: LK174 or LKAD174.

SINK DIMENSIONS*

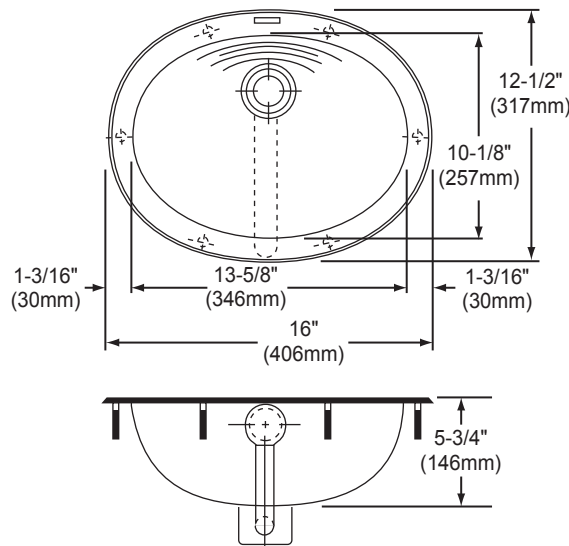
Model Number	Overall		Inside Bowl			With Overflow	Minimum Cabinet Size	Ship. Wt. Lbs.
	L	W	L	W	D			
LLVR1310	16 (406mm)	12½ (317mm)	13⅝ (346mm)	10⅞ (257mm)	5¾ (146mm)	Yes	21 (533mm)	7

* Length is left to right. Width is front to back.

** Template 1000001244 is packed with every sink.



Model LLVR1310



Model LLVR1310 Illustrated

In keeping with our policy of continuing product improvement, Elkay reserves the right to change product specifications without notice. Please visit elkay.com for the most current version of Elkay product specification sheets.

This specification describes an Elkay product with design, quality, and functional benefits to the user. When making a comparison of other producers' offerings, be certain these features are not overlooked.