

ELKAY[®]

SPECIFICATIONS

Gourmet Undermount Single Bowl Sink Model ELUH1316

IMPORTANT! ELU / ELUH Update

ELUH models have been redesigned to accommodate 1/2" reveal and no reveal installation options. ELU models should be ordered as ELUH.

GENERAL

Highest quality sink formed of #18 (1.2mm) gauge, type 304 (18-8) nickel bearing stainless steel. Undermount.

DESIGN FEATURES

Bowl Depth: 7-7/8" (200mm).

Coved Corners: 1-3/4" (44mm) vertical and horizontal radius.

Finish: Exposed surfaces are hand blended to a Lustrous Highlighted Satin Finish.

Underside: Underside of sink is fully protected by heavy duty Sound Guard[®] undercoating to reduce condensation and dampen sound.

OTHER

Drain Opening: 3-1/2" (89mm).

Note: All Elkay undermount sinks are designed to affix to the underside of any solid surface countertop.

Sink complies with ASME A112.19.3/ CSA B45.4

 Sinks are listed by IAPMO[®] as meeting the applicable requirements of the Uniform Plumbing Code[®], International Plumbing Code[®], and National Plumbing Code of Canada.

OPTIONAL ACCESSORIES

Bottom Grid: LKWOBG1316SS

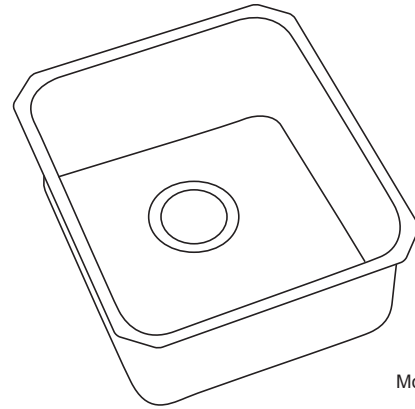
Cutting Boards: (Overhang only) CB1613, CB1713
(Reveal mount only) CBR1316, CBS1316

Drain: LK99

Rinsing Basket: LKWWRB1316SS, LKWWRBSS

Utensil Caddy for Rinsing Basket: LKWUCSS

Mounting Clip: LKUCLIP8



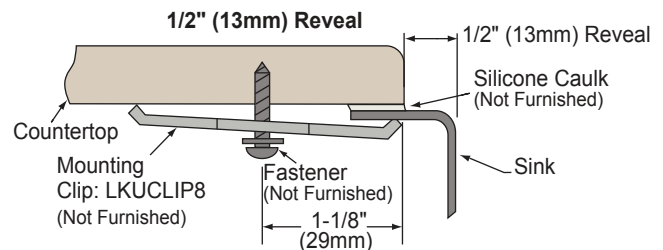
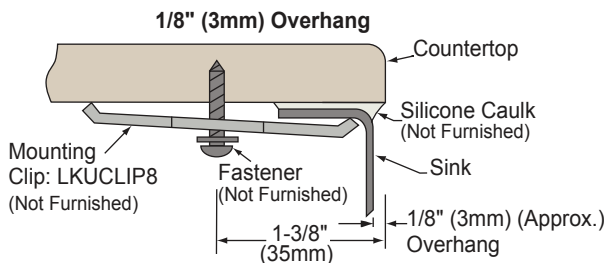
Model ELUH1316



SINK PACKAGE(S)

MODEL	SINK	BOTTOM GRID	QTY	DRAIN	QTY
ELUH1316DBG	ELUH1316	LKWOBG1316SS	1	LK99	1

Installation Profile



In keeping with our policy of continuing product improvement, Elkay reserves the right to change product specifications without notice. Please visit elkay.com for the most current version of Elkay product specification sheets.

This specification describes an Elkay product with design, quality, and functional benefits to the user. When making a comparison of other producers' offerings, be certain these features are not overlooked.

**Gourmet Undermount Single Bowl Sink
Model ELUH1316**

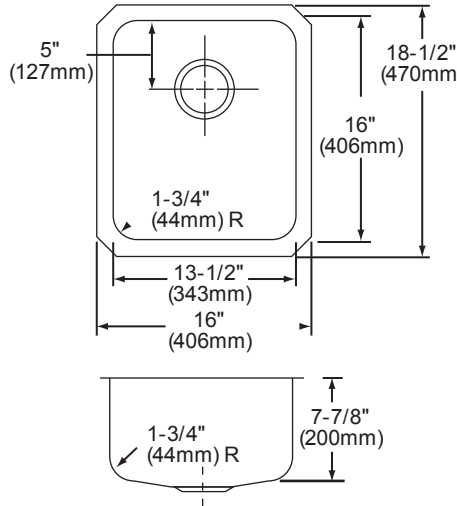
**ELKAY®
SPECIFICATIONS**

SINK DIMENSIONS*

Model Number	Overall		Inside Bowl			Cutout in Countertop See Template**	Minimum Cabinet Size 21 (533mm)
	L	W	L	W	D		
ELUH1316	16 (406mm)	18 1/2 (470mm)	13 1/2 (343mm)	16 (406mm)	7 7/8 (200mm)		

*Length is left to right. Width is front to back.

**Template #1000001399 is packed with every sink.



ELUH1316 Illustrated

In keeping with our policy of continuing product improvement, Elkay reserves the right to change product specifications without notice. Please visit elkay.com for the most current version of Elkay product specification sheets.

This specification describes an Elkay product with design, quality, and functional benefits to the user. When making a comparison of other producers' offerings, be certain these features are not overlooked.