

# ELKAY®

## SPECIFICATIONS

### Gourmet Undermount Double Bowl Sink Model ELUH3219

#### NEW ELUH Installation Options

ELUH models have been redesigned to accommodate 1/2" reveal and no reveal installation options.

#### GENERAL

Highest quality sink formed of #18 (1.2mm) gauge, type 304 (18-8) nickel bearing stainless steel. Reversible feature allows the sink to be rotated so small bowl is on the right or left. Undermount.

#### DESIGN FEATURES

Bowl Depth: 5" (127mm) (small bowl), 7-3/4" (197mm) (large bowl).

Finish: Exposed surfaces are hand blended to a Lustrous Highlighted Satin finish.

Underside: Underside of sink is fully protected by heavy duty Sound Guard® undercoating to reduce condensation and dampen sound.

#### OTHER

Drain Openings: 3-1/2" (89mm).

NOTE: All Elkay undermount sinks are designed to affix to the underside of any solid surface countertop.

Sink complies with ASME A112.19.3/ CSA B45.4

Sinks are listed by IAPMO® as meeting the applicable requirements of the Uniform Plumbing Code®, International Plumbing Code®, and National Plumbing Code of Canada.

#### OPTIONAL ACCESSORIES

Bottom Grid: LKWBG2115SS.

Cutting Board: (Reveal mount only) CB816, CBS715 (small bowl), CB1516 (large bowl)

Drain: LK99

Rinsing Baskets: LKWRB2115SS, (large bowl), LKWRB715SS (small bowl)

Utensil Caddy for Rinsing Basket: LKWUCSS

#### SINK PACKAGE(S)

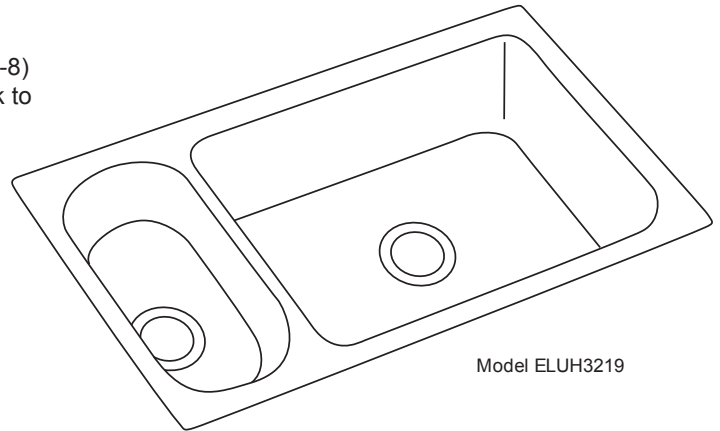
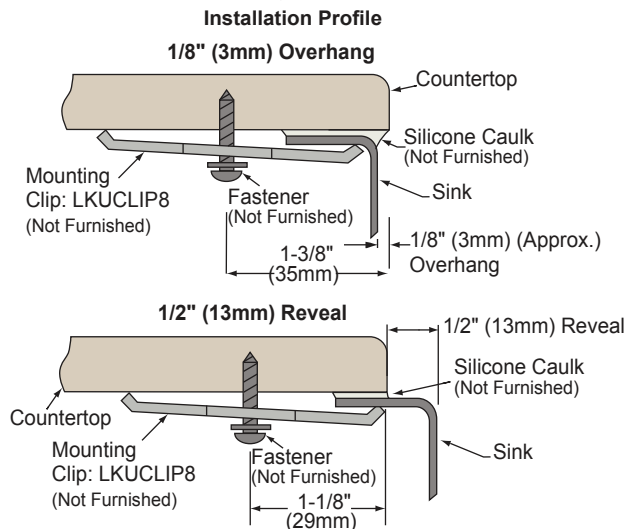
| MODEL       | SINK     | BOTTOM GRID | QTY | DRAIN | QTY |
|-------------|----------|-------------|-----|-------|-----|
| ELUH3219DBG | ELUH3219 | LKWBG2115SS | 1   | LK99  | 1   |

#### SINK DIMENSIONS\*

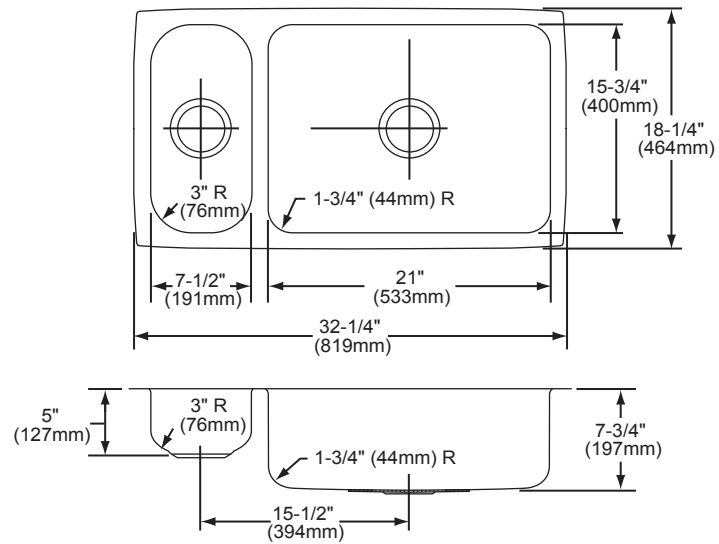
| Model Number | Overall           |                   | Inside Small Bowl |                   |              | Inside Large Bowl |                   |                  | Cutout in Countertop | Minimum Cabinet Size |
|--------------|-------------------|-------------------|-------------------|-------------------|--------------|-------------------|-------------------|------------------|----------------------|----------------------|
|              | L                 | W                 | L                 | W                 | D            | L                 | W                 | D                |                      |                      |
| ELUH3219     | 32 1/4<br>(819mm) | 18 1/4<br>(464mm) | 7 1/2<br>(191mm)  | 15 3/4<br>(400mm) | 5<br>(127mm) | 21<br>(533mm)     | 15 3/4<br>(400mm) | 7 3/4<br>(197mm) | See Template**       | 36<br>(914mm)        |

\*Length is left to right. Width is front to back.

\*\*Template #1000001419 is packed with every sink.



Model ELUH3219



Model ELUH3219 Illustrated

In keeping with our policy of continuing product improvement, Elkay reserves the right to change product specifications without notice. Please visit [elkay.com](http://elkay.com) for the most current version of Elkay product specification sheets.

This specification describes an Elkay product with design, quality, and functional benefits to the user. When making a comparison of other producers' offerings, be certain these features are not overlooked.