

ELKAY[®]

SPECIFICATIONS

Harmony™ Undermount Single Bowl Sink Model ELUH715

IMPORTANT! ELU / ELUH Update

ELUH models have been redesigned to accommodate 1/2" reveal and no reveal installation options. ELU models should be ordered as ELUH.

GENERAL

Highest quality sink formed of #18 (1.2mm) gauge, type 304 (18-8) nickel bearing stainless steel. Undermount.

DESIGN FEATURES

Bowl Depth: 5" (141mm).

Finish (ELUH): Exposed surfaces are hand blended to a Lustrous Highlighted Satin finish.

Underside: Underside of sink is fully protected by heavy duty Sound Guard[®] undercoating to reduce condensation and dampen sound.


OTHER

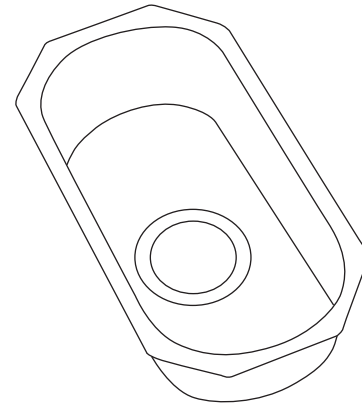
Drain Opening: 3-1/2" (89mm).

NOTE: All Elkay undermount sinks are designed to affix to the underside of any solid surface countertop.

Sink complies with ASME A112.19.3/ CSA B45.4

 Sinks are listed by IAPMO[®] as meeting the applicable requirements of the Uniform Plumbing Code[®], International Plumbing Code[®], and National Plumbing Code of Canada.

 These sinks are compliant to ADA and ANSI/ICC A117.1 accessibility requirements when installed according to the requirements outlined in these standards.



Model ELUH715



OPTIONAL ACCESSORIES

Cutting Boards (Reveal mount only): CB816, CBS715.

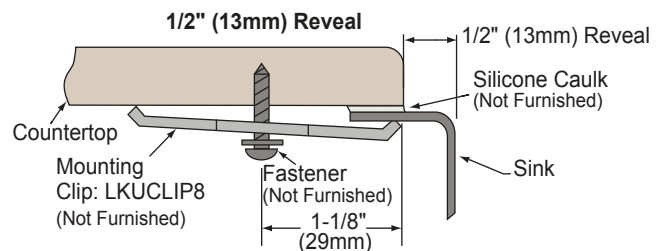
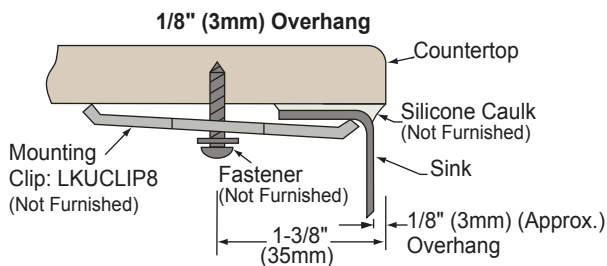
Drain: LK99.

Rinsing Basket: LKWRB715SS.

Utensil Caddy for Rinsing Basket: LKWUCSS.

Mounting Hardware: LKUCLIP8

Installation Profile



In keeping with our policy of continuing product improvement, Elkay reserves the right to change product specifications without notice. Please visit elkay.com or elkaypro.com for the most current version of Elkay product specification sheets.

This specification describes an Elkay product with design, quality, and functional benefits to the user. When making a comparison of other producers' offerings, be certain these features are not overlooked.

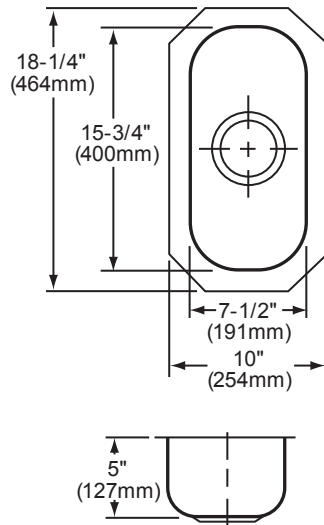
**Harmony™ Undermount Single Bowl Sink
Model ELUH715**

SINK DIMENSIONS*

Model Number	Overall		Inside Bowl			Cutout in Countertop	Minimum Cabinet Size
	L	W	L	W	D		
ELUH715	10 (254mm)	18 1/4 (464mm)	7 1/2 (191mm)	15 3/4 (400mm)	5 (127mm)	See Template**	15 (381mm)

*Length is left to right. Width is front to back.

**Template 1000001398 is packed with every sink.



Model ELUH715 Illustrated

In keeping with our policy of continuing product improvement, Elkay reserves the right to change product specifications without notice. Please visit elkay.com for the most current version of Elkay product specification sheets.

This specification describes an Elkay product with design, quality, and functional benefits to the user. When making a comparison of other producers' offerings, be certain these features are not overlooked.