

ELKAY[®]

SPECIFICATIONS

Gourmet E-Granite Single Bowl Top Mount Sink Models ELGS3322R Series

GENERAL

Molded with up to 85% natural quartz and high performance acrylic resins. E-Granite is non-porous and resists staining. E-Granite is hard enough to resist scratches and chips, is naturally sound deadened, and heat resistant. The color is solid throughout the sink and is UV resistant to prevent color-fading in indoor applications. Top mount.

DESIGN FEATURES

Bowl Depth: 9-1/2" (241mm).

Rim Height: 3/8" (10mm).

Color Options with natural accents: Black (BK), Bisque (BQ), Dusk Gray (GY), Mocha (MC), or White (WH).

OTHER

Drain Opening: 3-1/2" (89mm).

Note: Faucet holes are pre-scored for flexible installation.

Installer can punch up to 5 faucet holes.

Sink complies with CSA B45.5/IAPMO Z124



Sinks are listed by IAPMO[®] as meeting the applicable requirements of the Uniform Plumbing Code[®], International Plumbing Code[®], and National Plumbing Code of Canada.

OPTIONAL ACCESSORIES

Bottom Grid: LKWOBG3017RSS

Cutting Boards: LKCB1417HW

Drains: LKD35, LKS35

Rinsing Basket: LKWWRB1414SS, LKWERBSS

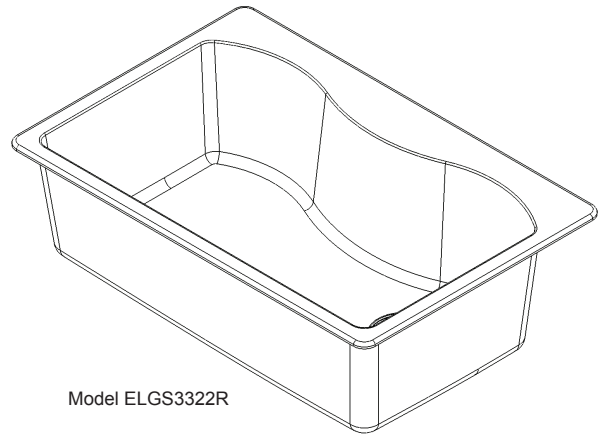
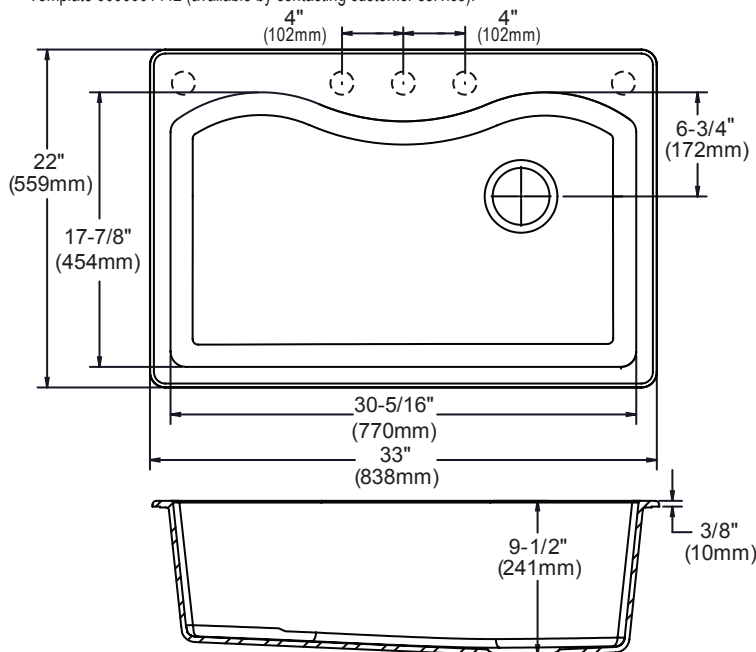
Utensil Caddy for Rinsing Basket: LKWUCSS

SINK DIMENSIONS*

Model Number	Overall		Inside Bowl			Cutout in Countertop 1" Radius (25mm) Corners		No. of Pre-scored 1 1/2" (38mm) Dia Faucet Holes	Minimum Cabinet Size
	L	W	L	W	D	L	W		
ELGS3322R	33 (838mm)	22 (559mm)	30-5/16 (770mm)	17-7/8 (454mm)	9-1/2 (241mm)	32-3/8 (822mm)	21-3/8 (543mm)	5	36 (914mm)

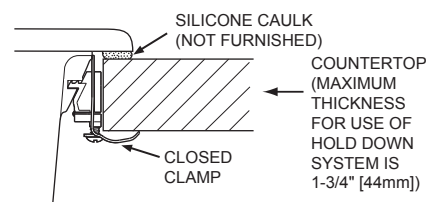
*Length is left to right. Width is front to back.

**Template 0000001442 (available by contacting customer service).

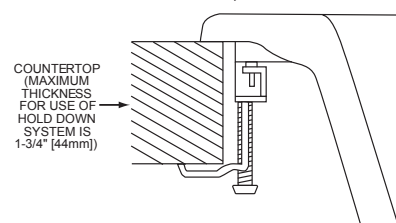


Model ELGS3322R

Cross Profile of Installation



Cross Profile of Installation Prior To Feb. 1, 2013



In keeping with our policy of continuing product improvement, Elkay reserves the right to change product specifications without notice. Please visit elkay.com for the most current version of Elkay product specification sheets.

This specification describes an Elkay product with design, quality, and functional benefits to the user. When making a comparison of other producers' offerings, be certain these features are not overlooked.