

ELKAY[®]

SPECIFICATIONS

Lustertone[®] Single Bowl Sink Packages Models LH and DLH Series

GENERAL

Highest quality sink seamlessly formed of #18 gauge, type 304 (18-8) nickel bearing stainless steel. Top Mount.

DESIGN FEATURES

Bowl Depth: 7-5/8"(194mm) (LH1720C and LH1722C);
10-1/8"(258mm) (DLH222210C); 12-1/8"(308mm) (DLH252212C).

Coved Corners: 1-3/4"(44mm) vertical and horizontal radius.

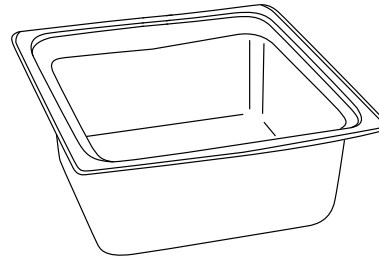
Bowl and Faucet Deck Recess: 3/16"(5mm) below outside edge of sink.

Finish: Exposed surfaces are hand blended to a lustrous high-lighted satin finish.

Underside: Fully undercoated to dampen sound and reduce condensation.

OTHER

Drain Opening: 3-1/2"(89mm).



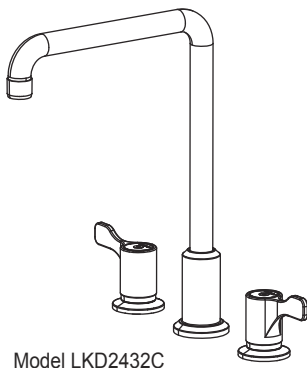
Model LH1722C

SINK DIMENSIONS (INCHES)*

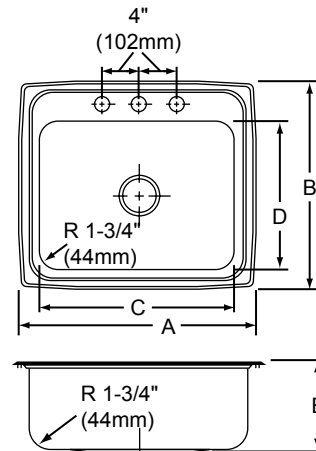
Sink Package Model Number	Overall		Inside Bowl			Cutout in Countertop (1-1/2" Radius Corners)		No. of 1-1/2" Dia. Faucet Holes 4" Center	Minimum Cabinet Size
	L	W	L	W	D	L	W		
	A	B	C	D	E	L	W		
LH1720C	17 (431mm)	20 (508mm)	14 (356mm)	14 (356mm)	7 ⁵ / ₈ (194mm)	16 ³ / ₈ (416mm)	19 ³ / ₈ (492mm)	3	21
LH1722C	17 (431mm)	22 (559mm)	13 ¹ / ₂ (343mm)	16 (406mm)	7 ⁵ / ₈ (194mm)	16 ³ / ₈ (416mm)	21 ³ / ₈ (543mm)	3	21
DLH222210C	22 (559mm)	22 (559mm)	19 (483mm)	16 (406mm)	10 ¹ / ₈ (257mm)	21 ³ / ₈ (543mm)	21 ³ / ₈ (543mm)	3	27
DLH252212C	25 (635mm)	22 (559mm)	21 (533mm)	15 ³ / ₄ (400mm)	12 ¹ / ₈ (308mm)	24 ³ / ₈ (619mm)	21 ³ / ₈ (543mm)	3	30

*Length is left to right. Width is front to back

Package includes:
LKD2432C faucet.



Model LKD2432C



In keeping with our policy of continuing product improvement, Elkay reserves the right to change product specifications without notice. Please visit elkay.com for the most current version of Elkay product specification sheets.

This specification describes an Elkay product with design, quality, and functional benefits to the user. When making a comparison of others producers offerings, be certain these features are not overlooked.