

# ELKAY® SPECIFICATIONS

## Pursuit™ Laundry/Utility Top Mount Sinks Models PLA Series

### GENERAL

Highest quality sink formed of #18 (1.2mm) gauge, type 316 nickel bearing stainless steel. Top mount.

### DESIGN FEATURES

Bowl Depth: 10-1/8" (257mm) (PLA191910, PLA332210) or 12-1/8" (308mm) (PLA252212).

Coved Corners: 1-3/4" (44mm) vertical and horizontal radius.

Bowl and Faucet Deck Recess: 3/16" (5mm) below outside edge of sink.

Finish: Exposed surfaces are hand blended to a lustrous satin finish.

Underside: Fully protected by Sound Guard® undercoating to reduce condensation and dampen sound.

### OTHER

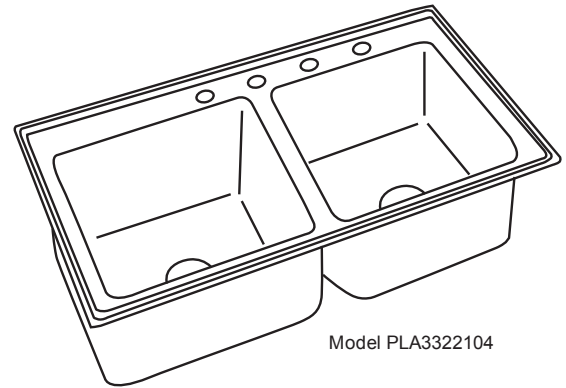
Drain Opening: 3-1/2" (89mm).

Recommended Drain: LK335, LK372.

Sink complies with ASME A112.19.3-2008 / CSA B45.4-08.



These sinks are listed by the International Association of Plumbing and Mechanical Officials as meeting the requirements of the Uniform Plumbing Code and the National Plumbing Code of Canada.

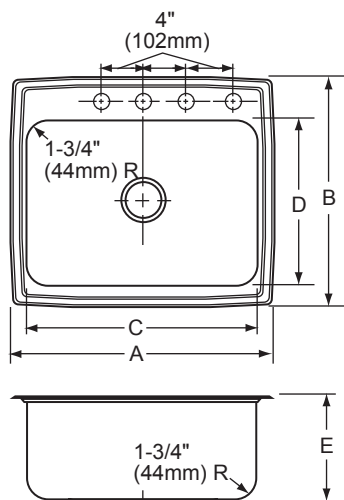


Model PLA3322104

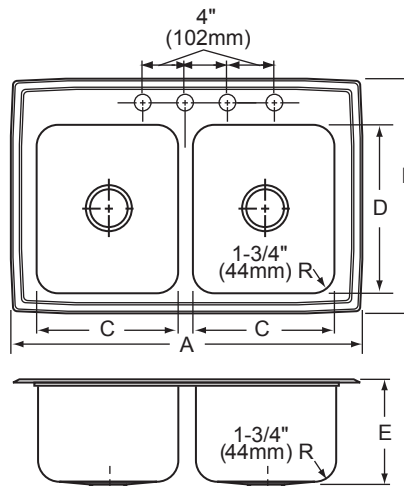
### SINK DIMENSIONS\*

Model Number	Number of Bowls	Overall		Inside Each Bowl			Cutout in Countertop (1 1/2" [38mm] Radius Corners)		No. of 1 1/2" (38mm) Dia. Faucet Holes 4" (102mm) Center	Minimum Cabinet Size
		L A	W B	L C	W D	D E	L	W		
PLA191910	1	19-1/2 (495mm)	19 (483mm)	16 (406mm)	13-1/2 (343mm)	10-1/8 (257mm)	18-7/8 (479mm)	18-3/8 (467mm)	1, 2, MR2, 3, OS4	24 (610mm)
PLA252212	1	25 (635mm)	22 (559mm)	21 (533mm)	15-3/4 (400mm)	12-1/8 (308mm)	24-3/8 (619mm)	21-3/8 (543mm)	1, 2, MR2, 3, 4, 5	30 (762mm)
PLA332210	2	33 (838mm)	22 (559mm)	13-1/2 (343mm)	16 (406mm)	10-1/8 (257mm)	32-3/8 (822mm)	21-3/8 (543mm)	1, 2, MR2, 3, 4, 5	36 (914mm)

\*Length is left to right. Width is front to back.



Single Bowl Illustrated



Double Bowl Illustrated

In keeping with our policy of continuing product improvement, Elkay reserves the right to change product specifications without notice. Please visit [elkayusa.com](http://elkayusa.com) for most current version of Elkay product specification sheets.

This specification describes an Elkay product with design, quality and functional benefits to the user. When making a comparison of other producers' offerings, be certain these features are not overlooked.

Elkay

[elkayusa.com](http://elkayusa.com)

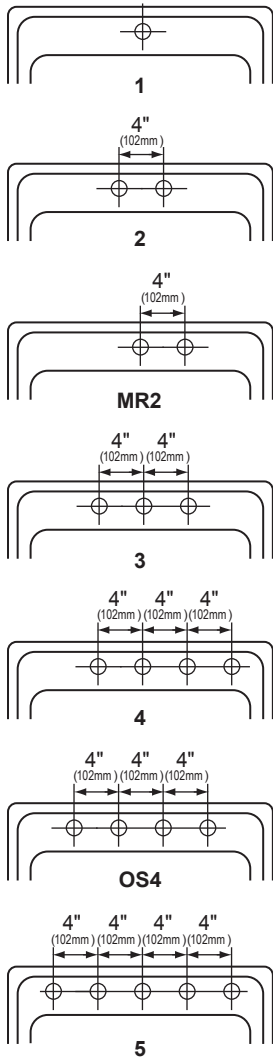
2222 Camden Court  
Oak Brook, IL 60523

Printed in U.S.A.  
©2011 Elkay

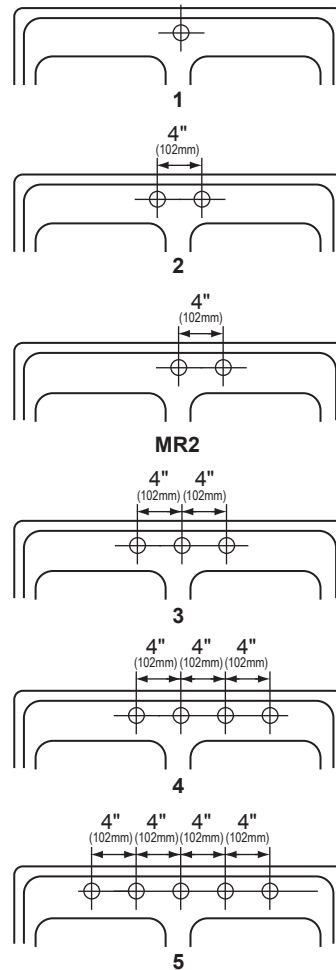
(Rev. 08/11)

1-289B

**SINGLE BOWL  
HOLE DRILLING  
CONFIGURATIONS**



**DOUBLE BOWL  
HOLE DRILLING  
CONFIGURATIONS**



*In keeping with our policy of continuing product improvement, Elkay reserves the right to change product specifications without notice. Please visit [elkayusa.com](http://elkayusa.com) for most current version of Elkay product specification sheets.*

*This specification describes an Elkay product with design, quality and functional benefits to the user. When making a comparison of other producers' offerings, be certain these features are not overlooked.*