

# ELKAY<sup>®</sup> SPECIFICATIONS

## Gourmet Sink with Perfect Drain<sup>™</sup> Models LR and LRS Series

### GENERAL

Highest quality sink formed of #18 (1.2mm) gauge, type 304 (18-8) nickel bearing stainless steel with **Perfect Drain**. Top mount.

### DESIGN FEATURES

Bowl Depth: See Chart on next page.

Coved Corners: 1-3/4" (44mm) vertical and horizontal radius.

Rim Height: 5/32"(4mm), or 3/8"(10mm)(LRS3322PD only)

Finish: Exposed surfaces are hand polished to a Lustrous Highlighted Satin finish.

Underside: Fully undercoated to dampen sound and reduce condensation. LR2521PD is fully protected by heavy duty Sound Guard<sup>®</sup> undercoating.

**Perfect Drain:** Seamlessly welded stainless steel collar eliminates the gap between a traditional drain and the sink for a sanitary and gap free installation.

Each sink shipped with one LKPD1 drain kit, or a garbage disposer can be installed on sink bowl for user convenience.

### Patent Pending

### OTHER

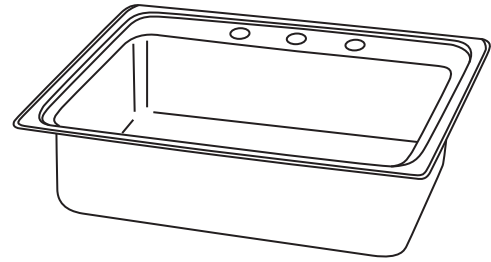
Drain opening: 3-3/8" (86mm)

Waste Fitting complies with ASME A112.18.2/CAN/CSA-B125.2

Sink complies with ASME A112.19.3/ CSA B45.4



Sinks are listed by IAPMO<sup>®</sup> as meeting the applicable requirements of the Uniform Plumbing Code<sup>®</sup>, International Plumbing Code<sup>®</sup>, and National Plumbing Code of Canada.



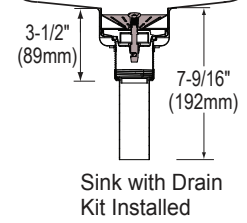
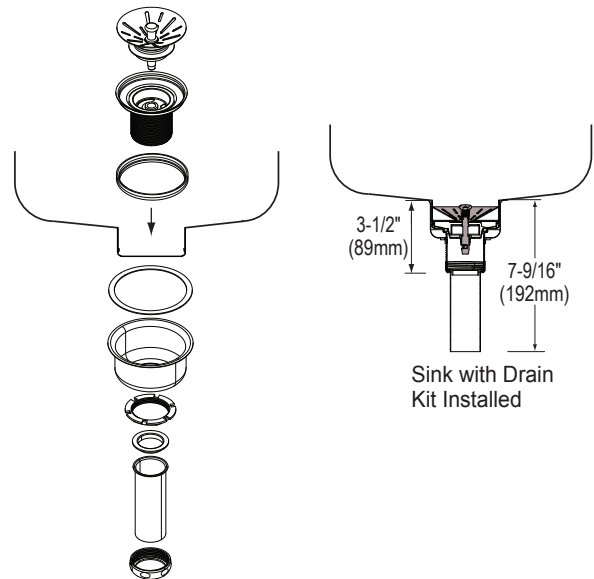
Model LR2219PD3



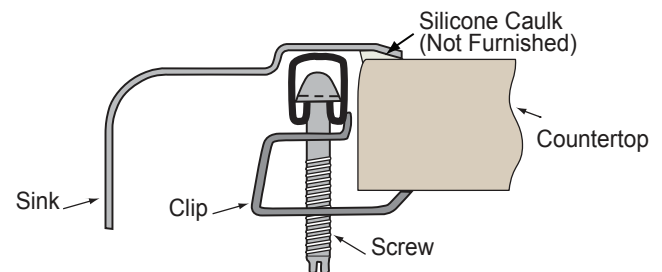
in sink erator<sup>®</sup>

Elkay<sup>®</sup> Perfect Drain<sup>™</sup> sinks are designed and approved for compatible disposers manufactured by InSinkErator<sup>®</sup> utilizing the Quick Lock<sup>®</sup> mounting configuration. Use of non-approved disposers may void Elkay warranty.

InSinkErator, Quick Lock and the mounting collar configuration are trademarks of Emerson Electric Co.



### Installation Profile



In keeping with our policy of continuing product improvement, Elkay reserves the right to change product specifications without notice. Please visit [elkay.com](http://elkay.com) for the most current version of Elkay product specification sheets.

This specification describes an Elkay product with design, quality, and functional benefits to the user. When making a comparison of others producers offerings, be certain these features are not overlooked.

# ELKAY<sup>®</sup>

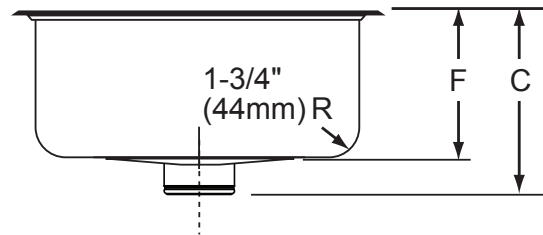
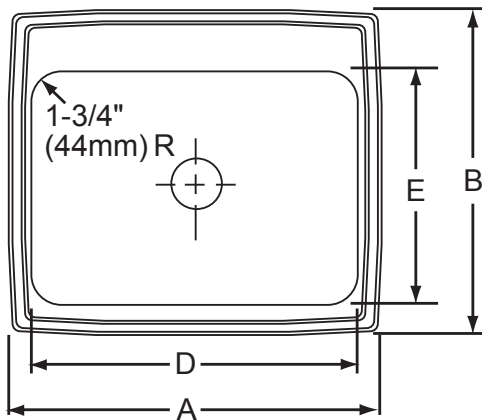
## SPECIFICATIONS

### Gourmet Sink with Perfect Drain™ Models LR and LRS Series

#### SINK DIMENSIONS\*

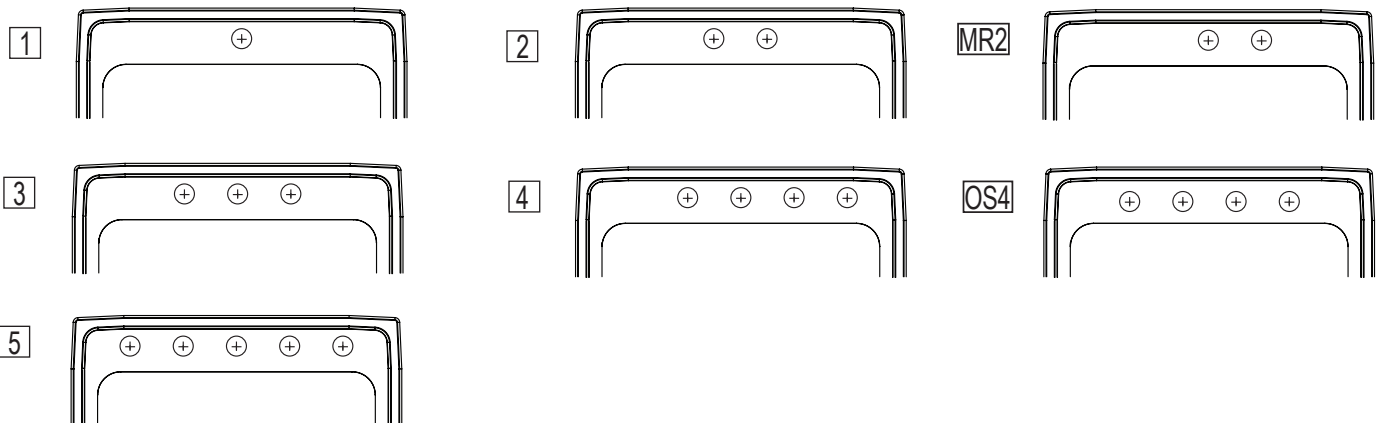
Model Number	Overall			Inside Bowl			Cutout in Countertop [1 1/2" (38mm) Radius Corners]		No. of 1 1/2" (38mm) Dia. Faucet Holes 4" (102mm) Center	Minimum Cabinet Size
	L	W	D	L	W	D	L	W		
	A	B	C	D	E	F	L	W		
LR1722PD	17 (432mm)	22 (559mm)	9 1/8 (232mm)	13 1/2 (343mm)	16 (406mm)	7 5/8 (194mm)	16 3/8 (422mm)	21 3/8 (543mm)	1, 2, MR2, 3, or OS4	21 (533mm)
LR1919PD	19 1/2 (495mm)	19 (483mm)	9 (229mm)	16 (406mm)	13 1/2 (343mm)	7 1/2 (190mm)	18 7/8 (479mm)	18 3/8 (467mm)	1, 2, MR2, 3, or OS4	24 (610mm)
LR2219PD	22 (559mm)	19 1/2 (495mm)	9 1/8 (232mm)	18 (457mm)	14 (356mm)	7 5/8 (194mm)	21 3/8 (543mm)	18 7/8 (479mm)	1, 2, MR2, 3, 4 or 5	27 (686mm)
LR2521PD	25 (635mm)	21 1/4 (540mm)	9 1/2 (241mm)	21 (533mm)	15 3/4 (400mm)	8 (203mm)	24 3/8 (619mm)	20 5/8 (524mm)	1, 2, MR2, 3, 4 or 5	30 (762mm)
LR3122PD	31 (787mm)	22 (559mm)	9 1/8 (232mm)	28 (711mm)	16 (406mm)	7 5/8 (194mm)	30 3/8 (772mm)	21 3/8 (543mm)	1, 2, MR2, 3, 4 or 5	36 (914mm)
LRS3322PD	33 (838mm)	22 (559mm)	9 1/8 (232mm)	28 (711mm)	16 (406mm)	7 5/8 (194mm)	32 3/8 (822mm)	21 3/8 (543mm)	1, 2, MR2, 3, 4 or 5	36 (914mm)

\*Length is left to right. Width is front to back.



#### Hole Drilling Configurations

1-1/2" (38mm) Diameter Faucet Holes on 4" (102mm) Centers



In keeping with our policy of continuing product improvement, Elkay reserves the right to change product specifications without notice. Please visit [elkay.com](http://elkay.com) for the most current version of Elkay product specification sheets.

This specification describes an Elkay product with design, quality, and functional benefits to the user. When making a comparison of others producers offerings, be certain these features are not overlooked.