

ELKAY®

SPECIFICATIONS

Gourmet Undermount Single Bowl Sink Model ELUH2115 Series

IMPORTANT! ELU / ELUH Update

ELUH models have been redesigned to accommodate 1/2" reveal and no reveal installation options. ELU models should be ordered as ELUH.

GENERAL

Highest quality sink formed of #18 (1.2mm) gauge, type 304 (18-8) nickel bearing stainless steel. Select models available with Statement feature. Undermount.

DESIGN FEATURES

Bowl Depth: 7-1/2" (191mm) (ELUH2115), 10" (254mm) (ELUH211510).

Coved Corners: 1-3/4" (44mm) vertical and horizontal radius.

Finish: Exposed surfaces are hand blended to a Lustrous Highlighted Satin finish.

Underside: Underside of sink is fully protected by heavy duty Sound Guard® undercoating to reduce condensation and dampen sound.

OTHER

Drain Opening: 3-1/2" (89mm).

Note: All Elkay undermount sinks are designed to affix to the underside of any solid surface countertop.

Sink complies with ASME A112.19.3/ CSA B45.4



Sinks are listed by IAPMO® as meeting the applicable requirements of the Uniform Plumbing Code®, International Plumbing Code®, and National Plumbing Code of Canada.

OPTIONAL ACCESSORIES

Bottom Grid: LKWOBG2115SS

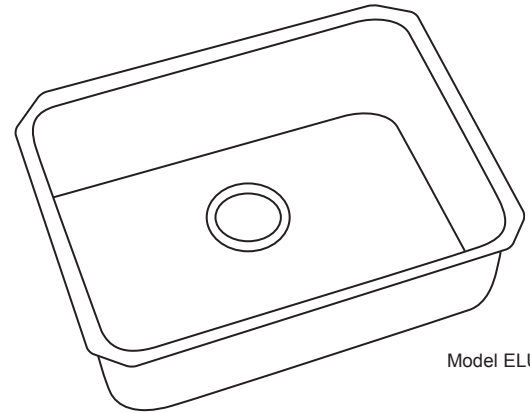
Cutting Board: (Reveal mount only) CB1516

Drain: LK99

Rinsing Baskets: LKWRB2115SS, LKWERBSS

Utensil Caddy for Rinsing Basket: LKWUCSS

Mounting Clip: LKUCLIP8



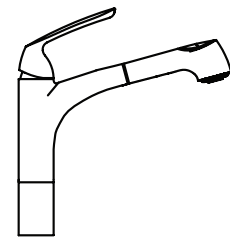
Model ELUH2115



SINK PACKAGE(S)

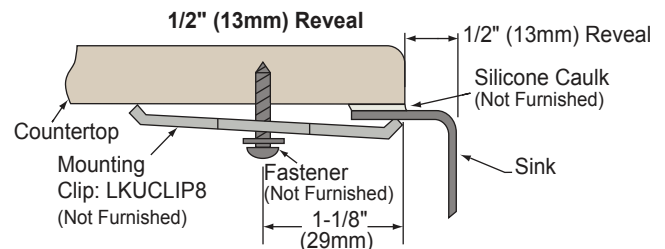
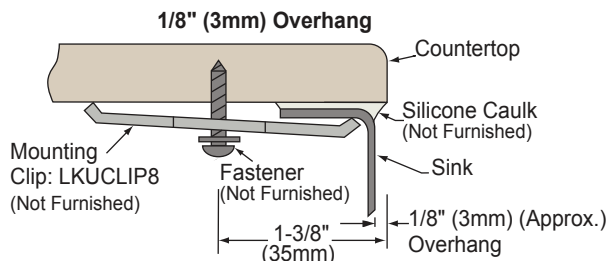
MODEL	SINK	BOTTOM GRID	QTY	DRAIN	QTY
ELUH2115DBG	ELUH2115	LKWOBG2115SS	1	LK99	1
ELUH211510DBG	ELUH211510	LKWOBG2115SS	1	LK99	1

MODEL	SINK	FAUCET	QTY
LKGTPKG1CR	ELUH2115	LKGT1041CR	1
LKGTPKG1NK	ELUH2115	LKGT1041NK	1



Model LKGT1041

Installation Profile



In keeping with our policy of continuing product improvement, Elkay reserves the right to change product specifications without notice. Please visit elkay.com for the most current version of Elkay product specification sheets.

This specification describes an Elkay product with design, quality, and functional benefits to the user. When making a comparison of other producers' offerings, be certain these features are not overlooked.

**Gourmet Undermount Single Bowl Sink
Model ELUH2115 Series**

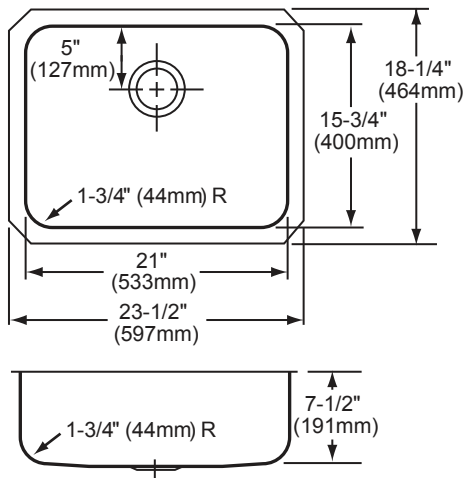
ELKAY®
SPECIFICATIONS

SINK DIMENSIONS*

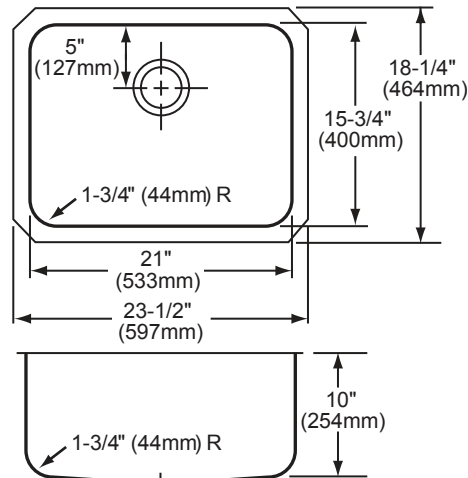
Model Number	Overall		Inside Bowl			Cutout in Countertop	Minimum Cabinet Size
	L	W	L	W	D		
ELUH2115	23 ¹ / ₂ (597mm)	18 ¹ / ₄ (464mm)	21 (533mm)	15 ³ / ₄ (400mm)	7 ¹ / ₂ (191mm)	See Template**	27 (686mm)
ELUH211510	23 ¹ / ₂ (597mm)	18 ¹ / ₄ (464mm)	21 (533mm)	15 ³ / ₄ (400mm)	10 (254mm)		27 (686mm)

*Length is left to right. Width is front to back.

**Template #1000001400 is packed with every sink.



ELUH2115



ELUH211510

In keeping with our policy of continuing product improvement, Elkay reserves the right to change product specifications without notice. Please visit elkay.com for the most current version of Elkay product specification sheets.

This specification describes an Elkay product with design, quality, and functional benefits to the user. When making a comparison of other producers' offerings, be certain these features are not overlooked.