

ELKAY[®]

SPECIFICATIONS

Gourmet Undermount Sink with Perfect Drain™ Model ELUH1418PD Series

IMPORTANT! ELU / ELUH Update

ELUH models have been redesigned to accommodate 1/2" reveal and no reveal installation options. ELU models should be ordered as ELUH.

GENERAL

Highest quality sink formed of #18 (1.2mm) gauge, type 304 (18-8) nickel bearing stainless steel with **Perfect Drain**. Undermount.

DESIGN FEATURES

Bowl Depth: 7-7/8" (200mm), Overall depth: 9-3/8" (238mm) (ELUH418)
10" (254mm), Overall depth: 11-1/2" (293mm) (ELUH141810).

Coved Corners: 1-3/4" (44mm) vertical and horizontal radius.

Finish ELUH1418: Exposed surfaces are hand blended to a Lustrous Highlighted Satin finish.

Underside: Fully protected by Sound Guard[®] undercoating to reduce condensation and dampen sound.

Perfect Drain: Seamlessly welded stainless steel collar eliminates the gap between a traditional drain and the sink for a sanitary and gap free installation. Each sink shipped with one LKPD1 drain kit, or a garbage disposer can be installed for user convenience.

Patent Pending

OTHER

Drain opening: 3-3/8" (86mm)

NOTE: All Elkay undermount sinks are designed to affix to the underside of any solid surface countertop.

Waste Fitting complies with ASME A112.18.2/CAN/CSA-B125.2

Sink complies with ASME A112.19.3/ CSA B45.4



Sinks are listed by IAPMO[®] as meeting the applicable requirements of the Uniform Plumbing Code[®], International Plumbing Code[®], and National Plumbing Code of Canada.

SINK PACKAGE(S)

MODEL	SINK	BOTTOM GRID	QTY	DRAIN	QTY
ELUH1418PDBG	ELUH1418PD	LKWOBG1418SS	1	LKPD1	1
ELUH141810PDBG	ELUH141810PD	LKWOBG1418SS	1	LKPD1	1

OPTIONAL ACCESSORIES

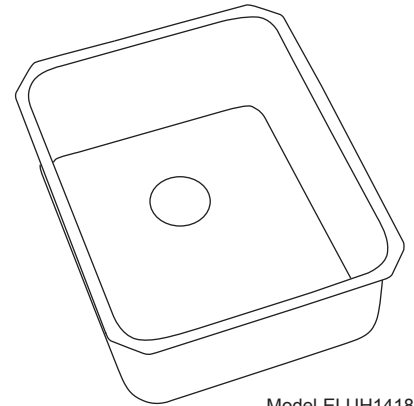
Bottom Grid: LKWOBG1418SS

Cutting Boards: (All cutting boards for Reveal mount only) CBR1418, CBS1418

Rinsing Baskets: LKWRB1418SS, LKWERBSS

Utensil Caddy for Rinsing Basket: LKWUCSS

Mounting Clip: LKUCLIP8

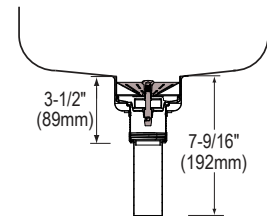
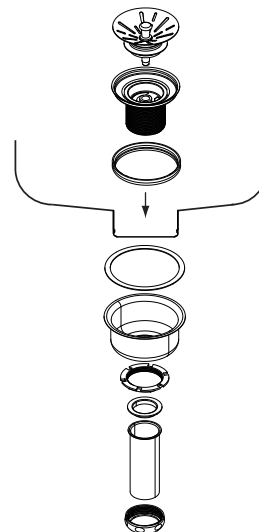


Model ELUH1418PD

in sink erator[®]

Elkay[®] Perfect Drain™ sinks are designed and approved for compatible disposers manufactured by InSinkErator[®] utilizing the Quick Lock[®] mounting configuration. Use of non-approved disposers may void Elkay warranty.

InSinkErator, Quick Lock and the mounting collar configuration are trademarks of Emerson Electric Co.



Sink with Drain Kit Installed



In keeping with our policy of continuing product improvement, Elkay reserves the right to change product specifications without notice. Please visit elkay.com for the most current version of Elkay product specification sheets.

This specification describes an Elkay product with design, quality, and functional benefits to the user. When making a comparison of other producers' offerings, be certain these features are not overlooked.

ELKAY[®]

SPECIFICATIONS

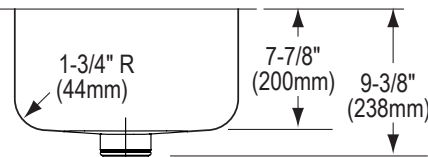
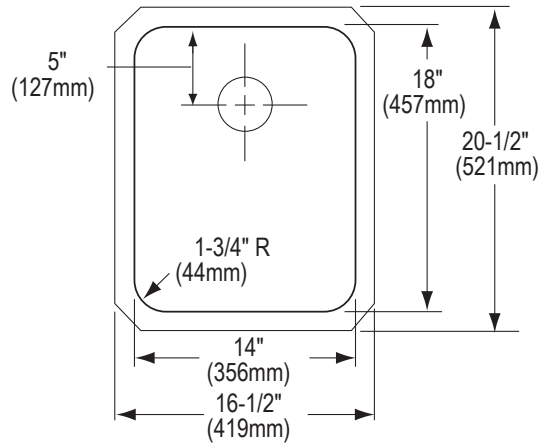
Gourmet Undermount Sink with Perfect Drain™ Model ELUH1418PD Series

SINK DIMENSIONS*

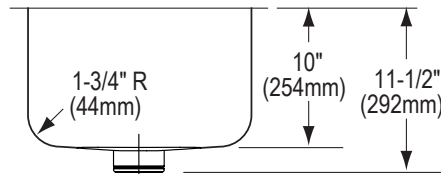
Model Number	Overall			Inside Bowl			Cutout in Countertop	Minimum Cabinet Size
	L	W	D	L	W	D		
ELUH1418PD	16-1/2 (419mm)	20-1/2 (521mm)	9-3/8 (238mm)	14 (356mm)	18 (457mm)	7-7/8 (200mm)	See Template**	21 (533mm)
ELUH141810PD	16-1/2 (419mm)	20-1/2 (521mm)	11-1/2 (292mm)	14 (356mm)	18 (457mm)	10 (254mm)		21 (533mm)

*Length is left to right. Width is front to back.

**Template #1000001307 is packed with every sink.

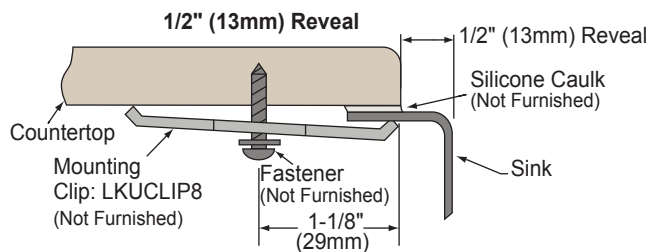
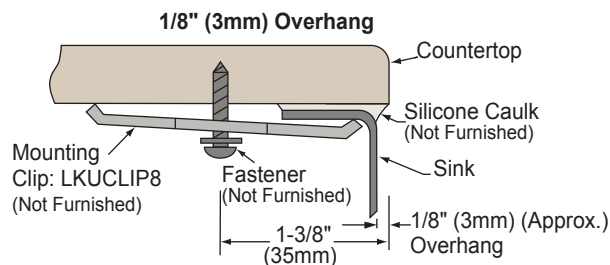


Model ELUH1418PD Illustrated



Model ELUH141810PD Illustrated

Installation Profile



In keeping with our policy of continuing product improvement, Elkay reserves the right to change product specifications without notice. Please visit elkay.com for the most current version of Elkay product specification sheets.

This specification describes an Elkay product with design, quality, and functional benefits to the user. When making a comparison of other producers' offerings, be certain these features are not overlooked.