


PRODUCT SPECIFICATIONS

The Mystic® Copper Single Bowl Undermount Sink. Overall dimensions are 51" x 13-15/16" x 4-1/2". Sink is hand fabricated from 16 gauge genuine, uncoated copper that will continue to age and tarnish naturally. Sink has Center Left drain placement and Bottom Only sound dampening pads.

Installation Type:	Undermount
Material:	Copper
Finish:	Antique Hammered
Gauge:	16
Sound Dampening Pads:	Bottom Only
Number of Bowls:	1
Sink Dimensions:	51" x 13-15/16" x 4-1/2"
Bowl 1 Dimensions:	48-1/8" x 8-5/16" x 4-1/2"
Drain Size:	3-1/2" (89mm)
Drain Location:	Center Left
Minimum Cabinet Size:	54"
Mounting Hardware:	Undermount brackets sold separately

 This sink is compliant to ADA and ANSI/ICC A117.1 accessibility requirements when installed according to the requirements outlined in these standards.

Installation Profile:

Requires professional installation. Use actual sink as template to determine cut-out opening.
All Elkay undermount sinks are designed to affix to the underside of any solid surface countertop.

OPTIONAL ACCESSORIES

Drain:	LK35AC
Faucet:	LK9102, LK9101
Hardware:	LKUCLIP8



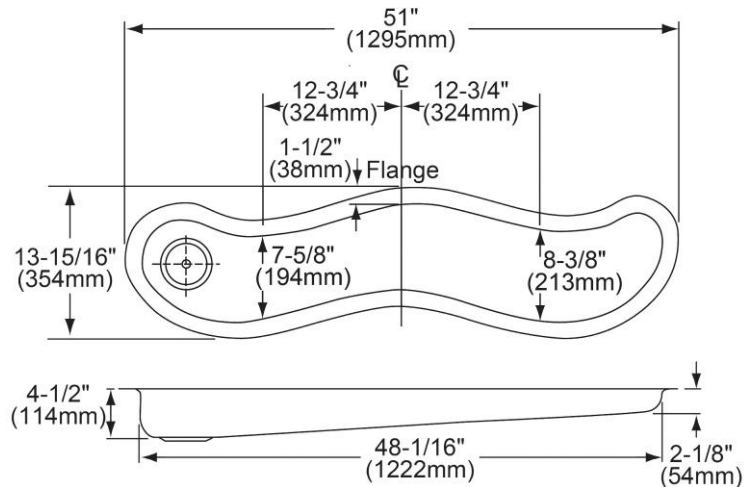
AMERICAN PRIDE. A LIFETIME TRADITION.
Like your family, the Elkay family has values and traditions that endure. For almost a century, Elkay has been a family-owned and operated company, providing thousands of jobs that support our families and communities.



Sinks are listed by IAPMO® as meeting the applicable requirements of the Uniform Plumbing Code®, International Plumbing Code®, and National Plumbing Code of Canada.

Product Compliance: ADA
CSA B45.12/IAPMO Z402

[Clean and Care Manual \(PDF\)](#)
[Installation Instructions \(PDF\)](#)
[Limited Lifetime Warranty \(PDF\)](#)



PART: _____ QTY: _____
PROJECT: _____
CONTACT: _____
DATE: _____
NOTES: _____
APPROVAL: _____

In keeping with our policy of continuing product improvement, Elkay reserves the right to change product specifications without notice. Please visit elkay.com for the most current version of Elkay product specification sheets. This specification describes an Elkay product with design, quality, and functional benefits to the user. When making a comparison of other producers' offerings, be certain these features are not overlooked.