

# ProSelect™

## Professional Equipment

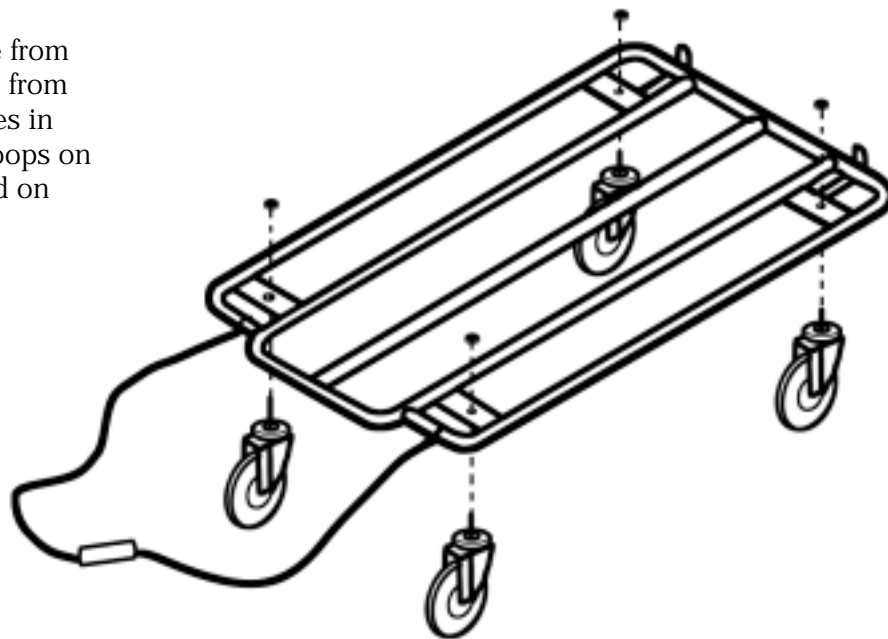
©2002 TOPS PET PRODUCTS, TOPSFIELD, MA 01983

Congratulations on your purchase of a ProSelect Kennel Kart. Each Kennel Kart is ruggedly constructed of chrome-plated tubular steel for long-lasting durability and maximum load capacity—easily holds up to 640 lbs!

Features smooth rolling swivel casters for easy mobility. Press-down foot pedals on each caster locks wheels in place for added security and safety. Includes braided nylon rope handle with foam rubber comfort grip. Ideal for hauling kennels, cages, crates, show equipment and more.

### Assembly instructions:

**1.** Remove Kennel Kart frame from carton and insert wheel bolts from underside through screw holes in corners. Backstop/tie down loops on rear of Kart should be located on top of frame facing up.



**2.** Check to make sure all four wheels are level. Thread a large washer, smaller lock-washer and nut onto each wheel bolt. Tighten nuts securely.

