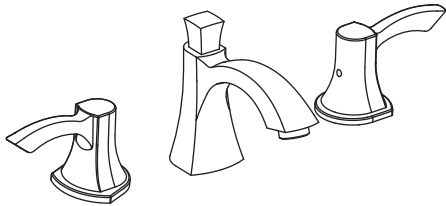


Instructions for Models:

SB-1821
SB-1821-BN



Need Help?

For additional assistance or service call:

SPEAKMAN Company
400 Anchor Mill Road
New Castle, DE 19720

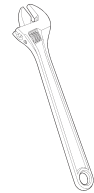
PHONE: 800-537-2107
EMAIL: customerservice@speakmancompany.com
WEB: www.speakmancompany.com

92-SB-1821-R1

What You Need To Know:

Tools: Required:

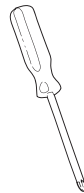
*Adjustable
Wrench



*Groove Joint
Pliers



*Philips
Screwdriver



*Teflon Tape

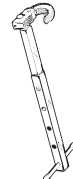


Helpful:

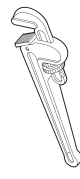
*Supply Lines



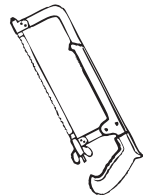
*Basin Wrench



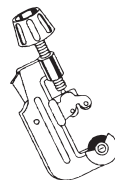
*Pipe Wrench



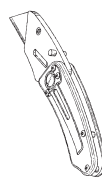
*Hacksaw



*Tubing Cutter



*Utility Knife



*Eye Protection



Important Notes:

Be sure to read instructions thoroughly before beginning installation. Do not overtighten any connections or damage may occur. This faucet has an operating range of 20-80 psi.

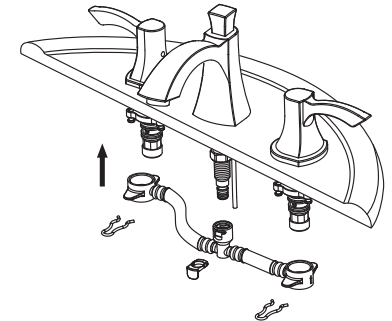
Safety Tips:

Cover your drain to prevent loss of parts.
Be sure to wear eye protection while cutting pipe.

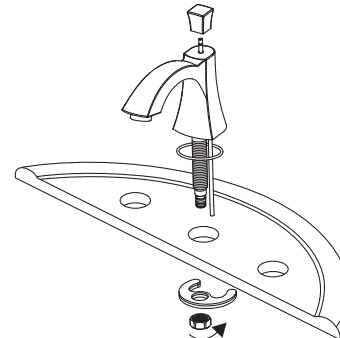
Maintenance:

Your new Lavatory Faucet is designed for years of trouble-free performance. Keep it looking new by cleaning it periodically with a soft cloth. Avoid abrasive cleaners, steel wool, and harsh chemicals as these will dull the finish and void your warranty.

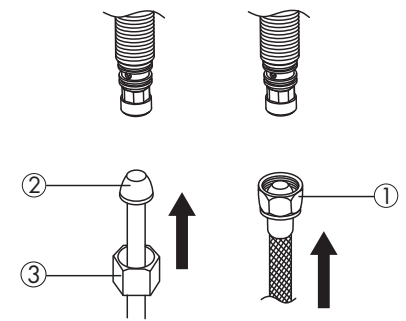
- ③ Insert flexible hoses into the faucet base as shown, tighten the handle with the clamp spring, and then press the button of the spout in order to set flexible hoses and the faucet.



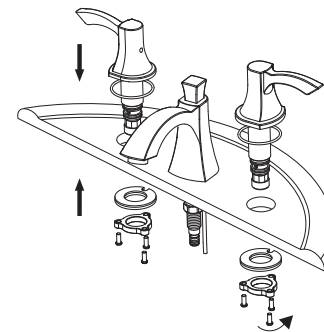
- ① Shut off water supplies. Remove old faucet. Clean sink surface in preparation for new faucet. Place spout thru mounting hole in sink. Secure spout with rubber washer, metal washer and nut.



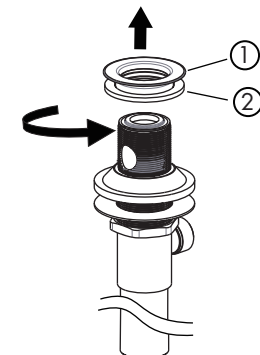
- ④ Make connections to water lines. Use 1/2" IPS faucet connections (1) or use the supplied coupling nuts (3) with 3/8" O.D. ball nose risers (2). Use wrenches to tighten connections. Do not overtighten.



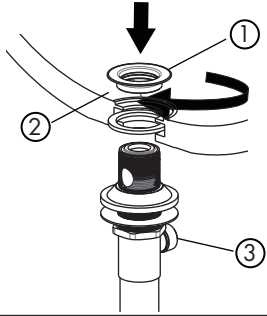
- ② Slide Hot and Cold end valves thru sink mounting holes. NOTE: Hot side end valve is labeled. Secure end valves with washers and nuts. Hand tighten nuts onto shank. Lock nuts into position by tightening screws.



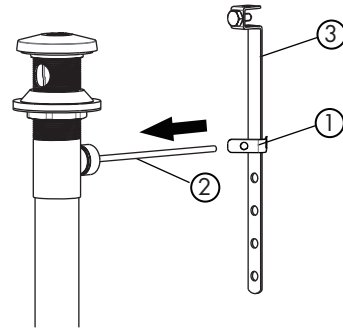
- ⑤ Remove flange (1) and rubber washer (2) from POP-UP drain assembly.



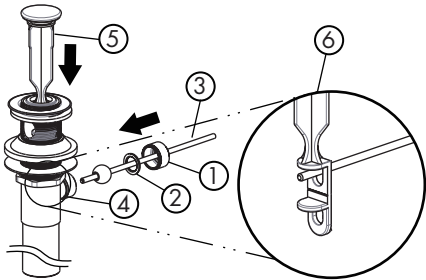
⑥ Place the rubber washer (2) to underside of the flange (1). Insert the threaded end of the drain body up through the drain hole and attach flange to the body with the pivot rod (3) pointing to the rear of the sink.



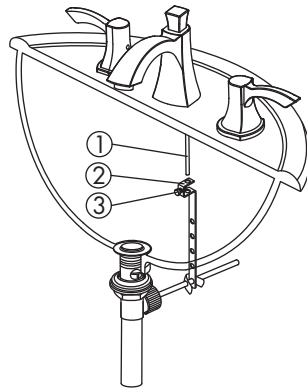
⑨ Place one end of spring clip (1) on the end of pivot rod (2). Insert rod through hole in lift rod strap (3). Secure with spring clip (1).



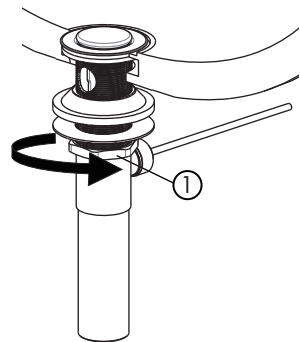
⑦ Unscrew the nut (1) from the pop-up body. NOTE: Retain the seal (2) on the pivot rod (3). Place the nut onto the pivot rod insert the rod and seal (2) into the pivot hole (4). Install stopper (5) as shown (6). Slide nut (1) on and hand tighten. (Please do not overtighten).



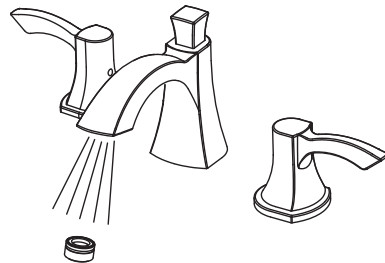
⑩ Insert lift rod (1) into strap (2) and tighten screw (3).



⑧ Tighten lock nut (1) by rotating counterclockwise until the pop-up drain assembly is secure. Rubber washer should be on top of sink.



⑪ **IMPORTANT:** After installation is completed, remove aerator. Turn on water supply and allow both hot and cold water to run for at least one minute each to remove the debris. While water is running, check for leaks. Replace aerator.



①RPG04-0410 (-BN)
 ②RPG05-0911
 ③RPG05-0911
 ④RPG45-0057
 ⑤RPG05-0913
 ⑥RPG63-0089

Measurement	Inches	Millimeters
Overall height	14.89"	[378mm]
Spout height	2.09"	[53mm]
Spout width	2.28"	[58mm]
Spout depth	4.81"	[122mm]
Spout tip width	4.92"	[125mm]
Spout tip depth	2.56"	[65mm]
Spout angle	15°	
Spout base width	6.74"	[171mm]
Spout base depth	2.74"	[70mm]
Spout base height	1.18"	[30mm]
Spout base diameter	4.02"	[102mm]
Spout base length	8.03"	[204mm]