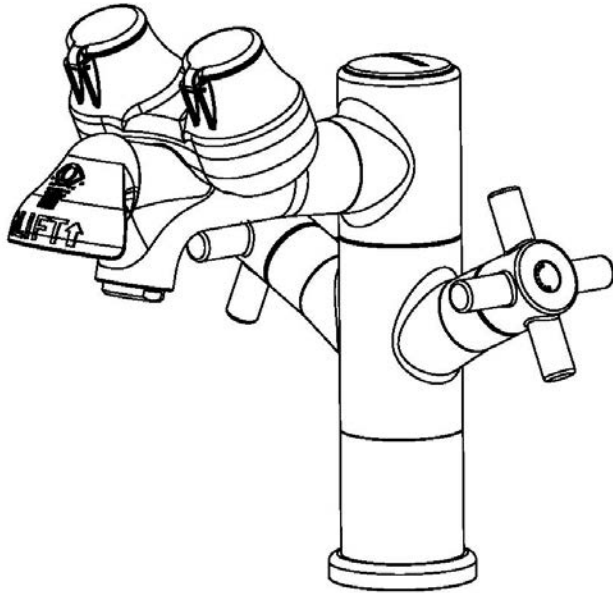


SPEAKMAN®

SEF-1850

EyeSaver® Single Post Laboratory Faucet with Integrated Eyewash

SPECIFICATION



The Speakman SEF-1850 is a NSF 61 compliant single post laboratory faucet with an integrated ANSI compliant aerated eyewash. Dedicated water ways allow the faucet and eyewash to work independently of each other.

EYEWASH FEATURES:

- Lift handle activator
- Dedicated water channel for eyewash
- Aerated plated spray outlets with flip-top dust covers
- 2 gpm (7.57 L/min) flow rate at 30 PSI
- Tepid water ready

FAUCET FEATURES:

- Lead-free brass construction
- ¼ turn ceramic cartridges
- Cross handles with color-coded indexes
- Swivel or rigid spout up to 100 degrees
- Single post installation
- 1.5 gpm (5.7 L/min) flow rate

COMPLIANCE:

- Certified to ANSI Z358.1, ASME A112.18.1/CSA B125.1, NSF 61 & CA AB 1953

AVAILABLE FINISHES:

ADD SUFFIX TO MODEL #

- Polished Chrome (standard)

OPTIONS:

- 8 In. spout -8
- Serrated tip with vacuum breaker -ST (not available in lead free option)
- Non-aerated eyewash and laminar faucet flow control 1.5 gpm (6.68 L/min) -NA
- Thermostatic mixing valve -TW
- 4" wrist blade handles -4WH

WARRANTY:

- 25 YEARS FOR CERAMIC CARTRIDGES
- 3 YEAR LIMITED

SEE REVERSE FOR ROUGH-IN DIMENSIONS
PATENT PENDING

NOTE: 1. Unless otherwise specified, all inlets are 3/8" compression with female threads.
2. All dimensions are in inches (millimeters) unless otherwise specified and are subject to change without notice.

THIS SPACE FOR ARCHITECT/ENGINEER APPROVAL.

SPEAKMAN®

400 ANCHOR MILL ROAD | NEW CASTLE, DE 19720
P: 800-537-2107 | F: 800-977-2747
WWW.SPEAKMANCOMPANY.COM



REVISION DATE: JULY 2013

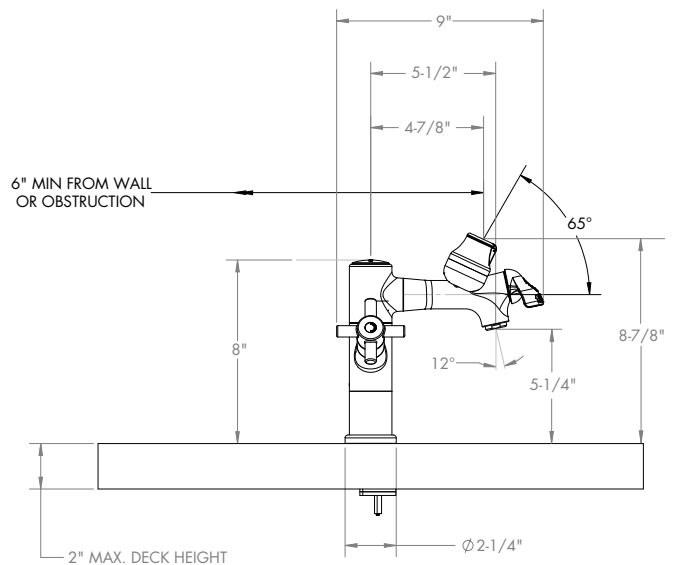
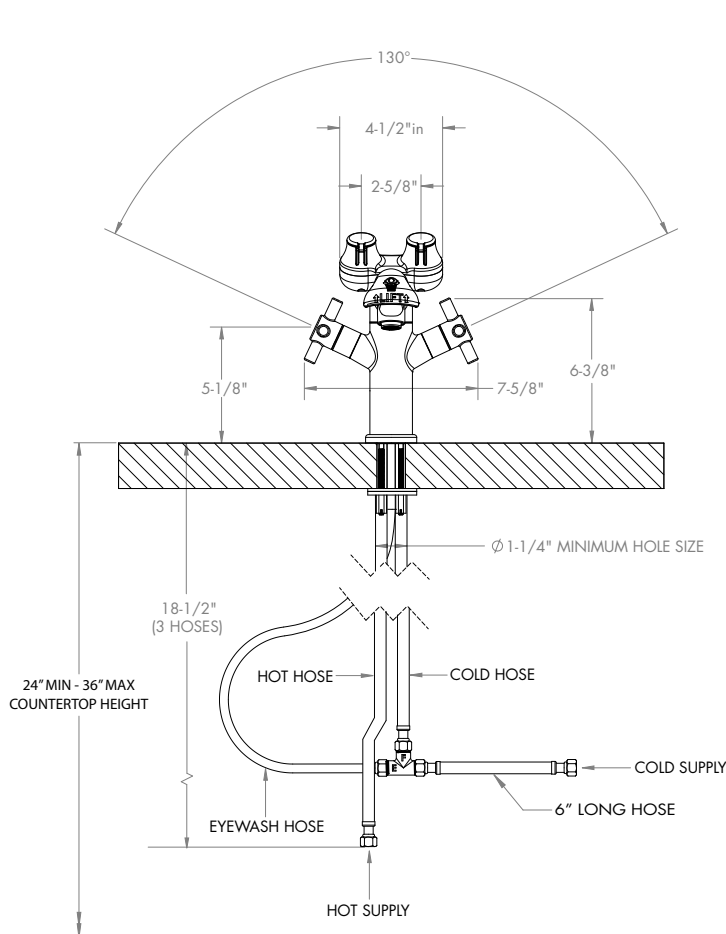
SPEAKMAN®

EyeSaver® Single Post Laboratory Faucet with Integrated Eyewash SEF-1850

ROUGH-IN

FRONT VIEW

SIDE VIEW (LESS HOSES)



NOTE: 1. All dimensions are in inches (millimeters) unless otherwise specified and are subject to change without notice.

THIS SPACE FOR ARCHITECT/ENGINEER APPROVAL.

SPEAKMAN®

400 ANCHOR MILL ROAD | NEW CASTLE, DE 19720
P: 800-537-2107 | F: 800-977-2747
WWW.SPEAKMANCOMPANY.COM



REVISION DATE: JULY 2013