

FEATURES:

- Dual element system utilizes a pressure balance piston to protect against thermal shock, and a thermostatic element regulates temperature and prevents scalding
- Brass body construction
- Built-in check valves in cartridge
- Adjustable temperature limit stops
- Integral stops for water shut-off at the valve
- Works with Speakman Thermostatic/Pressure Balance Valve Trim, CPT-5000
- Includes rough-in template
- Performs to ASSE 1016 at flow rates as low as 1.5 gpm and has been tested at flow rates as low as 0.5 gpm

COMPLIANCE:

- Certified to ASME A112.18.1/CSA B125.1 and ASSE 1016 standards

WARRANTY:

- 1 year limited

SEE REVERSE FOR ROUGH-IN DIMENSIONS

THIS SPACE FOR ARCHITECT/ENGINEER APPROVAL.

SPEAKMAN®

400 ANCHOR MILL ROAD | NEW CASTLE, DE 19720
P: 800-537-2107 | F: 800-977-2747
WWW.SPEAKMANCOMPANY.COM

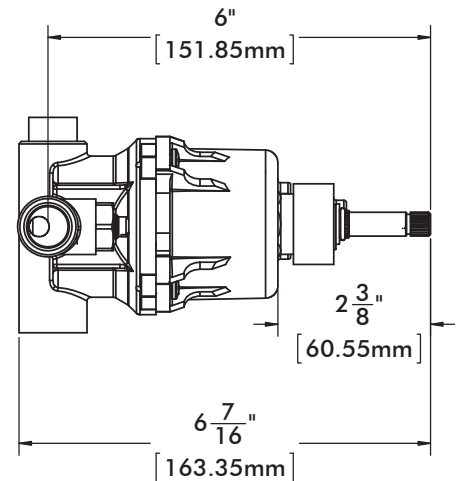
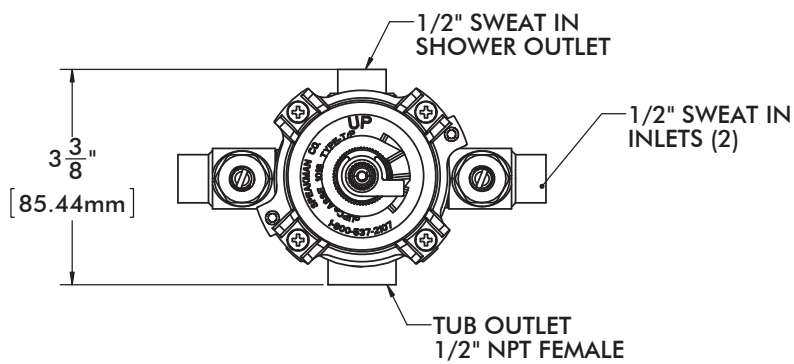
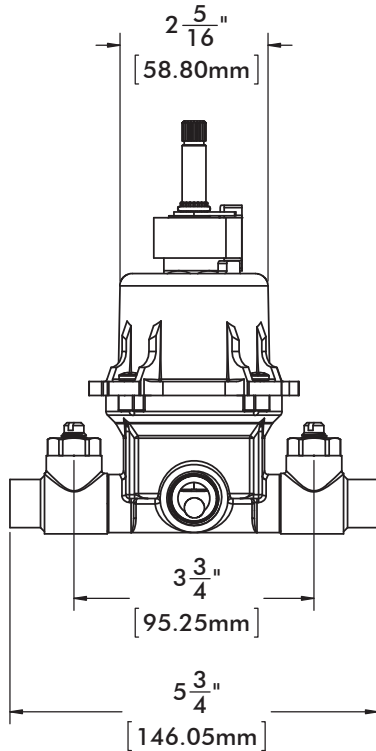
REVISION DATE: AUGUST 2014

Management Systems
Registered to ISO 9001

SPEAKMAN®

SentinelPro™ Thermostatic/Pressure Balanced Valve CPV-5000

SPECIFICATION



NOTE: 1. All dimensions are in inches (millimeters) unless otherwise specified and are subject to change without notice.

THIS SPACE FOR ARCHITECT/ENGINEER APPROVAL.

SPEAKMAN®

400 ANCHOR MILL ROAD | NEW CASTLE, DE 19720
P: 800-537-2107 | F: 800-977-2747
WWW.SPEAKMANCOMPANY.COM

Management Systems
Registered to ISO 9001

REVISION DATE: AUGUST 2014