

## COMMANDER®

### SC-1131-AF



### SC-1151-AF



### SC-1191



## Shower & Bath

### GENERAL SPECIFICATION

Commander concealed valve combinations. 1/4 turn ceramic cartridges covered by 25-year warranty. Chrome plated patented vandal-resistant four-arm handles with color-coded indexes. Brass bypass bodies with 1/2" pipe plugs. Integral stops. Reversible couplings for 1/2" sweat or NPTF inlet.

#### SC-1131-AF

S-2270-AF Cosmopolitan® showerhead with flow control device reduces flow to 2.5 gpm/9.46 lpm maximum to meet existing ASME A112.18.1/CSA B125.1 standard. S-2500 shower arm and wall flange.

#### SC-1151-AF

S-2270-AF Cosmopolitan showerhead with flow control device reduces flow to 2.5 gpm/9.46 lpm maximum to meet existing ASME A112.18.1/CSA B125.1 standard. S-2500 shower arm and wall flange. S-1556 diverter tub spout.

#### SC-1191

Bath filler with S-1554 tub spout.

### OPTIONS

SUFFIX	DESCRIPTION
--------	-------------

- |                              |                                    |
|------------------------------|------------------------------------|
| <input type="checkbox"/> D75 | Diamond 75 escutcheons and handles |
|------------------------------|------------------------------------|

### OPTIONS FOR SC-1131-AF & SC-1151-AF ONLY

SUFFIX	DESCRIPTION
--------	-------------

- |                              |                                       |
|------------------------------|---------------------------------------|
| <input type="checkbox"/> 1   | S-2251-AF showerhead                  |
| <input type="checkbox"/> 2   | S-2252-AF showerhead                  |
| <input type="checkbox"/> 2VR | S-2252-AF vandal-resistant showerhead |
| <input type="checkbox"/> 3   | S-2253-AF showerhead                  |
| <input type="checkbox"/> 4   | S-2220-AF showerhead                  |
| <input type="checkbox"/> 6   | S-2288-AF showerhead                  |
| <input type="checkbox"/> 7   | S-2291-AF showerhead                  |
| <input type="checkbox"/> 9   | S-2292-AF showerhead                  |

### OPTIONS

SUFFIX	DESCRIPTION
--------	-------------

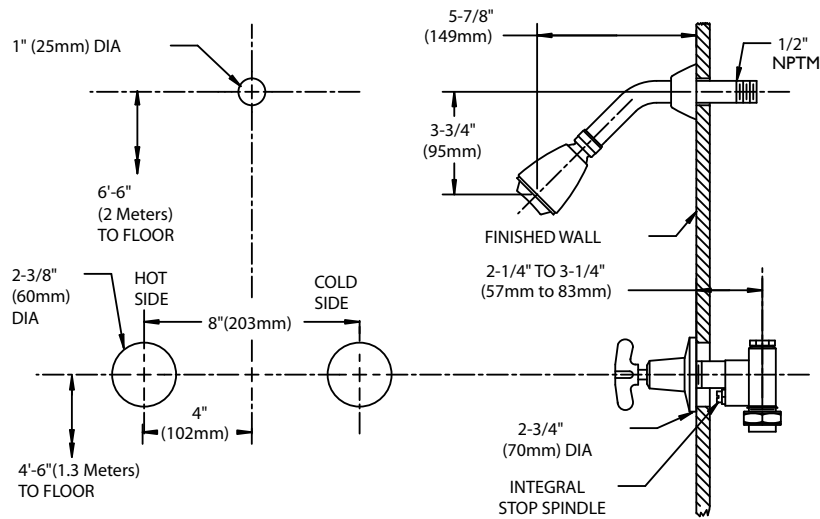
- |                             |                       |
|-----------------------------|-----------------------|
| <input type="checkbox"/> CO | Center only with trim |
|-----------------------------|-----------------------|

This space for Architect/Engineer approval.

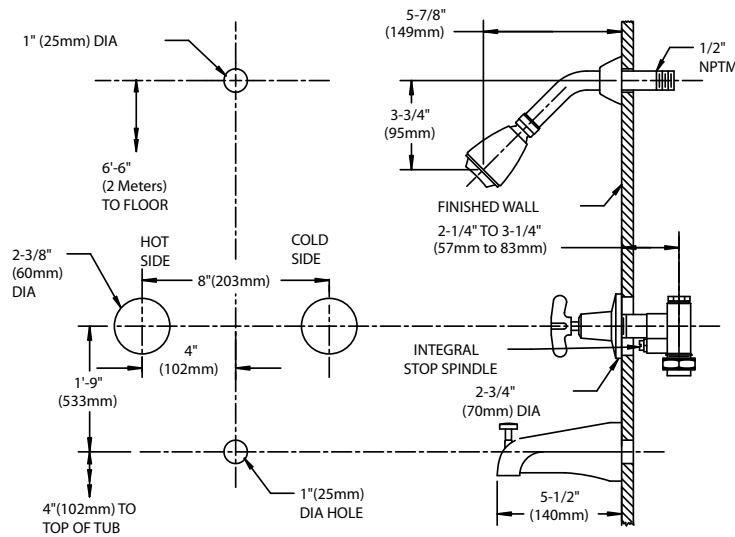


## ROUGH-INS

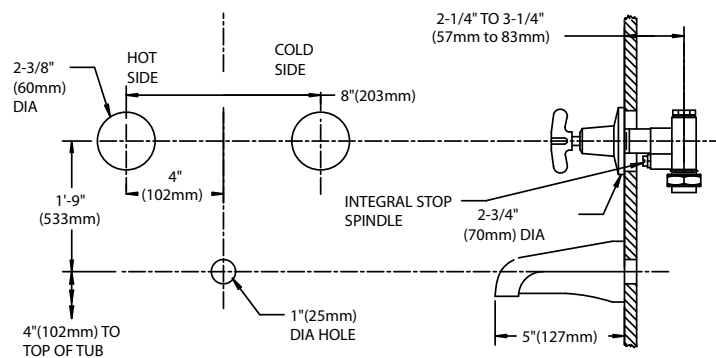
### SC-1131-AF



### SC-1151-AF



### SC-1191



NOTE: Unless otherwise specified, all inlets and outlets are 1/2" NPTF. Tub outlet is 3/4 NPTF. Unless otherwise specified, all dimensions are in inches and are subject to change without notice.