

SENTINEL MARK II®

SM-4000



Anti-Scald Balanced Pressure Valve

GENERAL SPECIFICATION

Sentinel Mark II concealed anti-scald balanced pressure valve. Decorative etched metal index. Chrome plated brass wall plate. Chrome plated brass lever handle. Independent center sleeve allows up to 1" of rough-in variation. Adjustable temperature limit stop. Brass body. Pressure balancing module. Ceramic temperature regulating module. Can be installed back-to-back. Roughing-in template. Vandal-resistant standard. Four port valve with 1/2" NPTF inlets and outlets. Furnished with 1/2" pipe plug. Meets ASSE 1016, 1989 standard.

SM-4000

Anti-scald valve with decorative index.

SM-4001

Anti-scald valve with decorative index and Revere handle.

OPTIONS

SUFFIX	DESCRIPTION
--------	-------------

<input type="checkbox"/> SCS	Spring check stops
------------------------------	--------------------

SM-4001



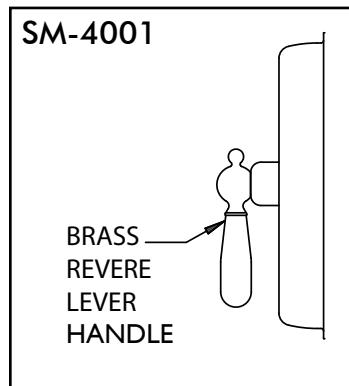
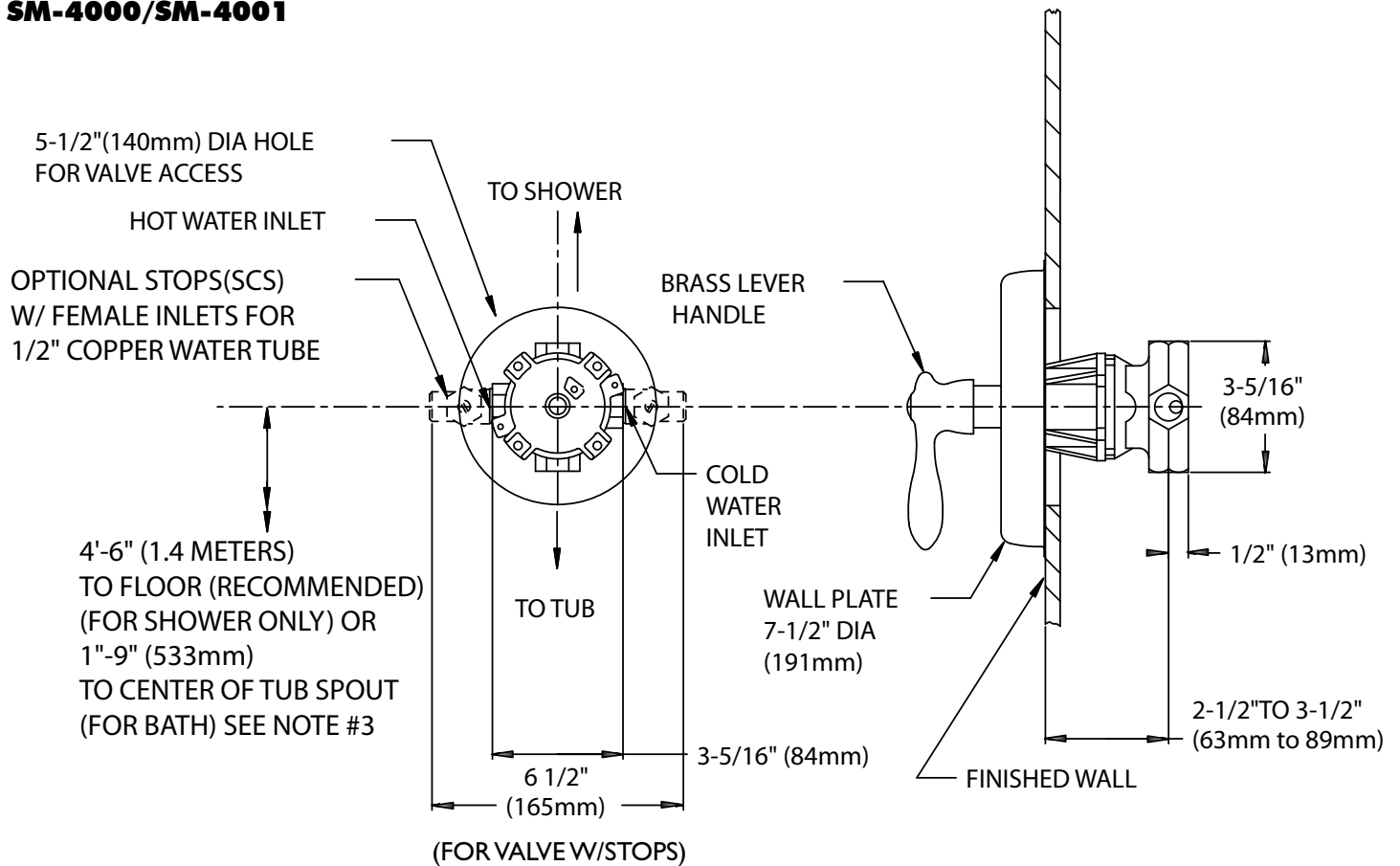
Contractor packs available upon request.

This space for Architect/Engineer approval.



ROUGH-INS

SM-4000/SM-4001



NOTE: Unless otherwise specified, all inlets and outlets are 1/2" NPTF. Unless otherwise specified, all dimensions are in inches and are subject to change without notice. For ADA mounting locations consult ADAAG, ANSI A117.1, or state regulations.