

## SENTINEL MARK II®

**SM-3020**



## Anti-Scald Balanced Pressure Shower

### GENERAL SPECIFICATION

Sentinel Mark II concealed anti-scald balanced pressure shower. Chrome plated brass wall plate with metal index. Chrome plated brass lever handle. Independent center sleeve allows up to 1" of rough-in variation. Adjustable temperature limit stop. Brass body. Pressure balancing module. Ceramic temperature regulating module. Can be installed back-to-back. Roughing-in template. Vandal-resistant standard. S-2280-AF Anystream® wall mounted showerhead with flow control device reduces flow to 2.5 gpm/9.46 lpm maximum to meet existing ASME A112.18.1/CSA B125.1 standard. Vandal-resistant standard. Four port valve with 1/2" NPTF inlets and outlets. Furnished with 1/2" pipe plug. Meets ASSE 1016, 1989 standard.

### **SM-3020**

Anti-scald balanced pressure shower.

### OPTIONS

SUFFIX	DESCRIPTION
--------	-------------

- |                              |                       |
|------------------------------|-----------------------|
| <input type="checkbox"/> AP  | Anchor plate assembly |
| <input type="checkbox"/> BJ  | Ball joint            |
| <input type="checkbox"/> SCS | Spring check stops    |
| <input type="checkbox"/> 2   | S-2252-AF showerhead  |
| <input type="checkbox"/> 6   | S-2288-AF showerhead  |

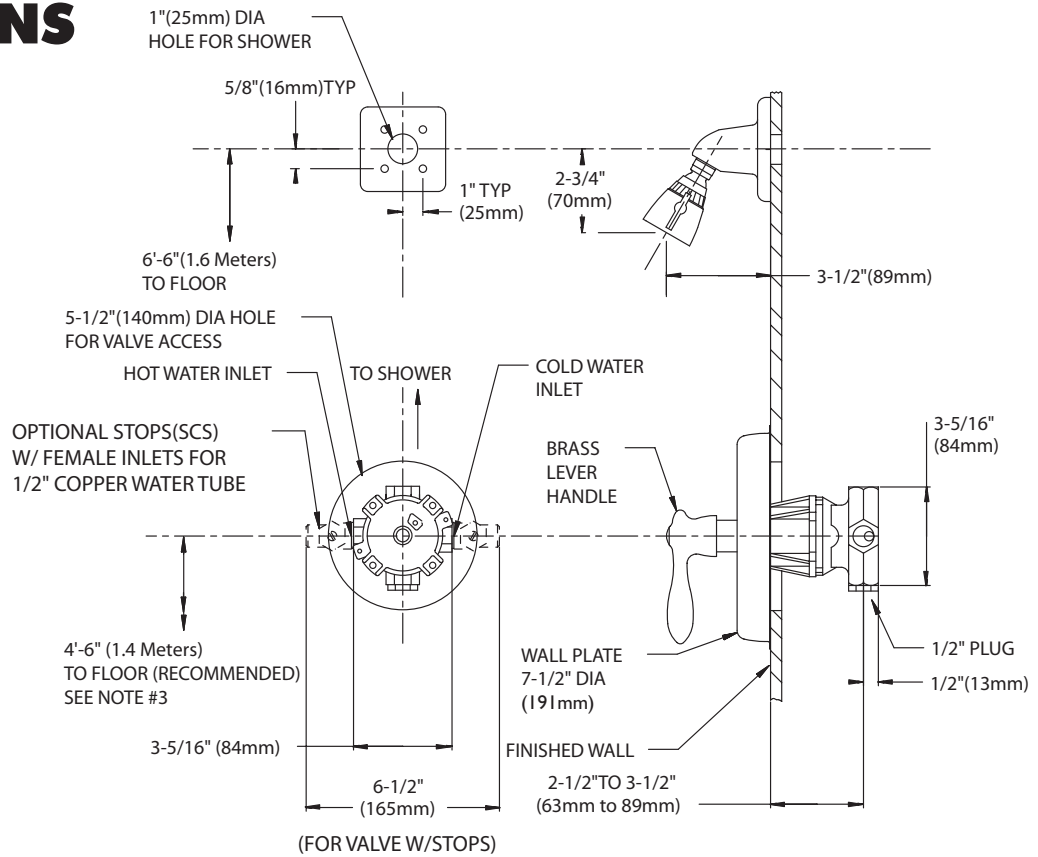
*Contractor packs available upon request.*

This space for Architect/Engineer approval.



## Rough-Ins

**SM-3020**



NOTE: Unless otherwise specified, all inlets and outlets are 1/2" NPTF. Unless otherwise specified, all dimensions are in inches and are subject to change without notice. For ADA mounting locations consult ADAAG, ANSI A117.1, or state regulations.