

# SPEAKMAN®

## SE-575

### EYESAVER® EYE/FACE WASH

#### DESCRIPTION

The SE-575 Eyesaver® wall mounted eyewash is supplied with a stay open full flow ball valve. It is activated by a push handle. It features twin spray heads with individual flow restrictors and flip top dust covers

#### SPECIFICATIONS

**Spray heads:** (2) yellow ABS plastic spray outlets, spray face, and flip-top dust caps

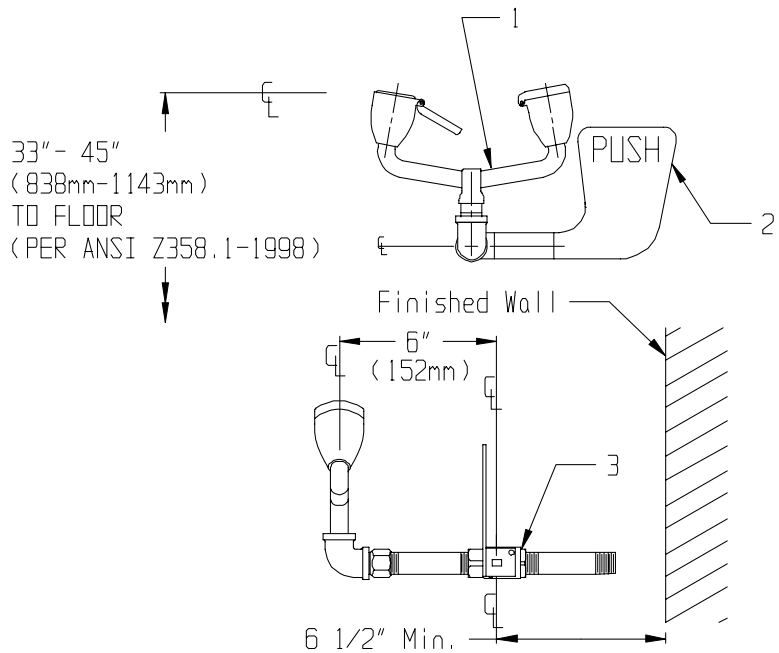
**Valve:** 1/2" NPT female brass, chrome plated

**Activator:** Stainless steel push handle

**Inlet:** 1/2" NPT

**Compliance:** ANSI Z358.1

**Universal Emergency Sign Included**



#### OPTIONS

- FLW Flow switch
- HS Hand-held spray
- SPV Scald protection valve
- FPV Freeze protection valve
- SSBV2 1/2" stainless steel valve

Job Name _____
Location _____
Architect/Engineer _____
Sales Representative _____
Wholesaler _____
Date _____ Model # _____