

SENTINEL MARK II®

SM-4030



SM-4031



Anti-Scald Balanced Pressure Shower & Bath

GENERAL SPECIFICATION

Sentinel Mark II concealed anti-scald balanced pressure shower and bath. Decorative etched metal index. Chrome plated brass wall plate. Chrome plated brass lever handle. Independent center sleeve allows up to 1" of rough-in variations. Adjustable temperature limit stop. Brass body. Pressure balancing module. Ceramic temperature regulating module. Can be installed back-to-back. Roughing-in template. Four port valve with 1/2" NPTF inlets and outlets. S-2270-AF showerhead with flow control device that reduces flow to 2.5 gpm/9.46 lpm maximum to meet existing ASME A.112.18.1/CSA B125.1 standard. S-2500 shower arm and wall flange. S-1556 diverter tub spout. Meets ASSE 1016, 1989.

SM-4030

Anti-scald shower and bath with decorative index.

SM-4031

Anti-scald shower and bath with decorative index and Revere handle.

OPTIONS

SUFFIX	DESCRIPTION
<input type="checkbox"/> LH	Less showerhead
<input type="checkbox"/> SCS	Spring check stops
<input type="checkbox"/> 1	S-2251-AF showerhead
<input type="checkbox"/> 2	S-2252-AF showerhead
<input type="checkbox"/> 2VR	S-2252-AF vandal-resistant showerhead
<input type="checkbox"/> 3	S-2253-AF showerhead
<input type="checkbox"/> 4	S-2220-AF showerhead
<input type="checkbox"/> 6	S-2288-AF showerhead
<input type="checkbox"/> 7	S-2291-AF showerhead
<input type="checkbox"/> 9	S-2292-AF showerhead

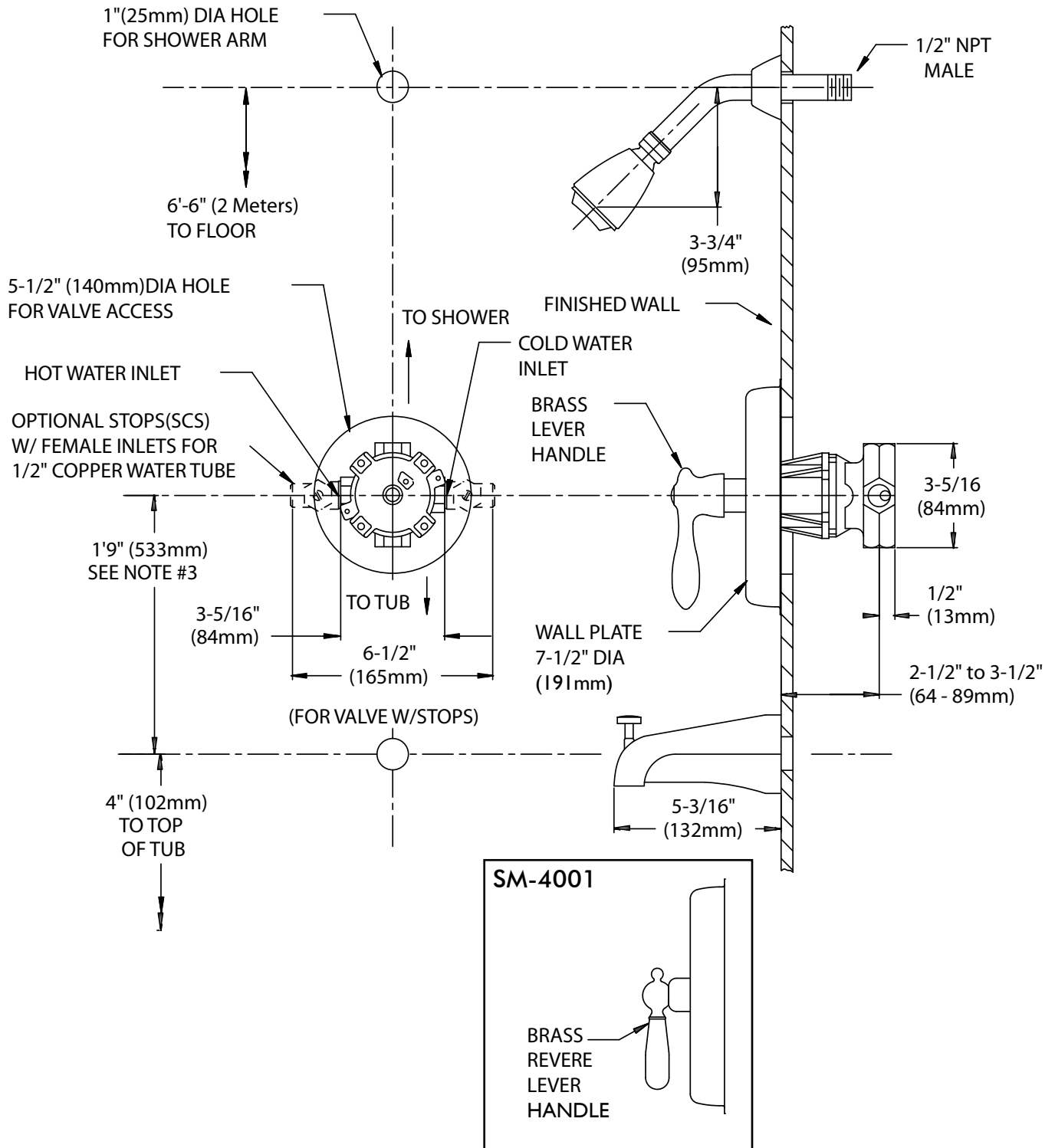
Contractor packs available upon request.

This space for Architect/Engineer approval.



ROUGH-INS

SM-4030/SM-4031



NOTE: Unless otherwise specified, all inlets and outlets are 1/2" NPTF. Unless otherwise specified, all dimensions are in inches (millimeters) and are subject to change without notice. For ADA mounting locations consult ADAAG, ANSI A117.1, or state regulations.