

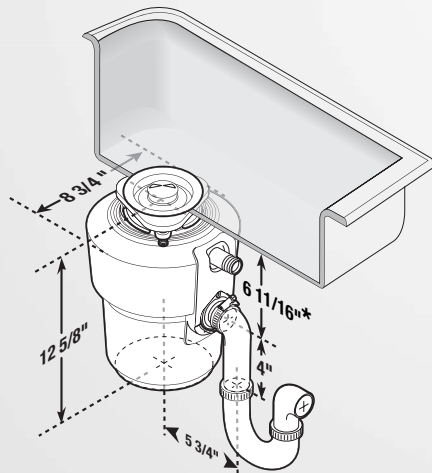
in **sink** erator®

# Evolution Series™

Grind More. Hear Less.™

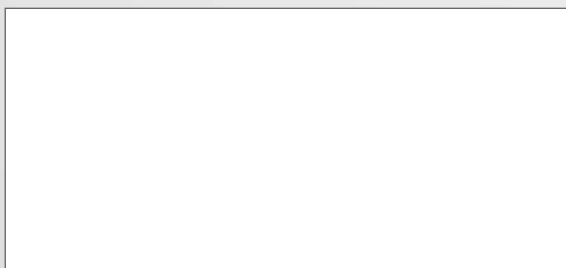


## Dimensions



\* Add 1/2" when stainless steel sinks are used.

## Job Specifications



## Food Waste Disposers

# Evolution Essential™

The ideal choice for a wide range of applications.

## Submittal Sheet

The ideal choice for a wide range of applications.

- **SoundSeal™** technology reduces disposer noise by at least 40% vs. standard disposers.
- **MultiGrind™** technology delivers 2 stages of grind vs. 1 stage in standard disposer.
- Includes Quiet Collar™ sound reducing sink baffle.

## Specifications

|                             |  |
|-----------------------------|--|
| Type of Feed                | Continuous   |
| On/Off Control              | Wall Switch  |
| Motor                       | Single Phase   |
| HP                          | 3/4  |
| Volts                       | 120  |
| HZ                          | 60   |
| RPM                         | 1725   |
| Amp. (Avg. Load)            | 8.1  |
| Time Rating                 | Intermittent   |
| Lubrication                 | Permanently Lubricated Upper & Lower Bearings  |
| Shipping Weight (Approx.)   | 20.8 lbs.  |
| Unit Finish                 | Black Enamel<br>Gray TEN-1706  |
| Overall Height              | 12-5/8"  |
| SoundSeal Technology        | Anti-Vibration Mount™<br>Anti-Vibration Tailpipe Mount™<br>Quiet Collar™ Sink Baffle<br>SoundLimiter™ Insulation |
| MultiGrind Technology       | GrindShear Ring™   |
| Grind Chamber Capacity      | 40 oz.   |
| Motor Protection            | Manual Reset Overload  |
| Average Water Usage         | 1/4 Gallon Per Person Per Day  |
| Average Electrical Usage    | 1/2 KWH Per Month  |
| Drain Connection            | 1-1/2" Anti-Vibration (Hose Clamp)   |
| Dishwasher Drain Connection | Yes  |

## Sample Specification

Food Waste Disposer(s) shall be InSinkErator Model Evolution Essential™ with MultiGrind and SoundSeal technologies, 3/4 HP motor, Stainless Steel Grind Chamber and components.

### Warranty:

6-Year parts and in-home service.

\* The complete InSinkErator warranty is included in the Care & Use Booklet packed with each unit.



**EMERSON**  
Appliance Solutions

The Emerson logo is a trademark and service mark of Emerson Electric Co.  
InSinkErator is a division of Emerson Electric Co.

1-800-558-5700  
www.insinkerator.com

Printed in USA

© 2006 InSinkErator

H605-06C-64-02