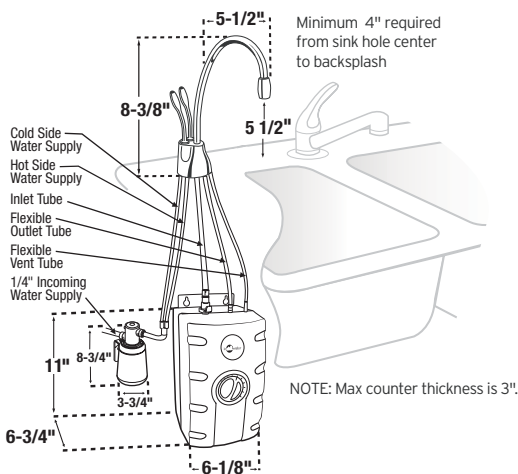




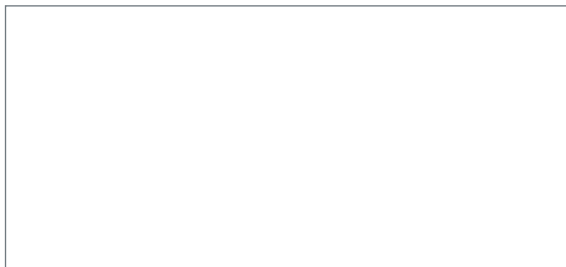
The Next Necessity™



Dimensions



Job Specifications



Instant Hot Water Dispensers

Model F-HC1100

Our finest line of instant hot water dispensers for use with our Stainless Steel Tank for filtered near-boiling 200°F and cool drinking water

Tank and filter sold separately (SST-FLTR)

Submittal Sheet

- **Hot & Cool** - Dispenses near-boiling 200°F water and cool drinking water
- Graceful high-arching spout swivels for greater convenience and stylish integrated levers provide a dramatic look
- Hot lever automatically shuts off, while Stay-On™ cool lever remains on for easy use
- Durable all brass faucet construction
- 5-year We Come To You™ In-Home Service Warranty*
- For use with InSinkEerator Stainless Steel Tank and F-201 Filtration System
- **Available in these designer finishes:** white, biscuit, almond, French gold, satin nickel, polished nickel, chrome, brushed stainless, brushed chrome, mocha bronze, oil rubbed bronze, matte black and gloss black

Specifications

Hot Valve	Instant, self-closing
Cold Valve	Manual return
Shipping Weight	Approximately 9.75 lbs.
Required Hole Diameter	1-3/8" - 1-1/2" standard sink hole



Sample Specification

Instant hot water dispenser(s) shall be InSinkEerator Model F-HC1100 with 2/3-gallon stainless steel tank, adjustable temperature from 160°F to 210°F and instant, self-closing hot valve.

Warranty:
5-year parts and in-home service.

* The complete InSinkEerator warranty is included in the Care & Use booklet packed with each unit.



1-800-558-5700
www.insinkerator.com



EMERSON
Appliance Solutions

The Emerson logo is a trademark and service mark of Emerson Electric Co. InSinkEerator is a division of Emerson Electric Co.