

### TOOLS NEEDED

- 1 Tape measure/yard stick
- 2 Drill and 1/16" diameter bit
- 3 Pliers
- 4 Pencil

### HARDWARE

- A** (2-3) Mounting Brackets
  - B** (8-12) Bracket Screws
  - C** 2 Cord Cleat Screws
  - D** Wing Nuts
  - E** Cord cleat
- 

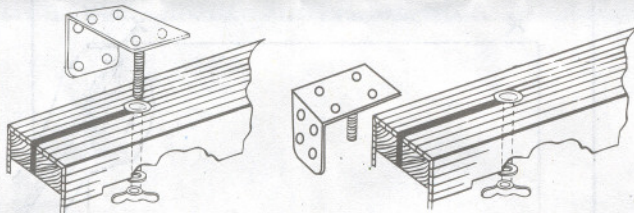
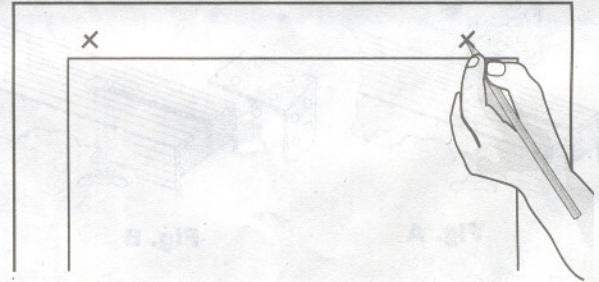


Fig. A

Fig. B

Place bracket on the shade by putting bolt through hole on top of shade. Secure and tighten the bracket using a wing nut.

Brackets can be mounted behind shade (Fig. A) or brackets can be mounted to the side of shade (Fig. B).



With brackets attached to the shade, hold the shade against the window where the shade will be mounted. Mark position of brackets with a pencil. Remove brackets from shade.

### 1 MOUNT BRACKETS

### 2 POSITION SHADE

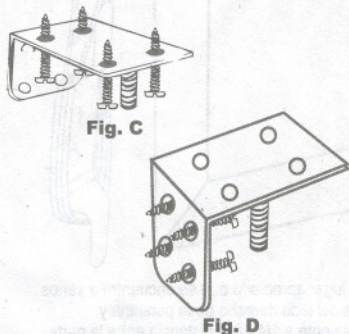
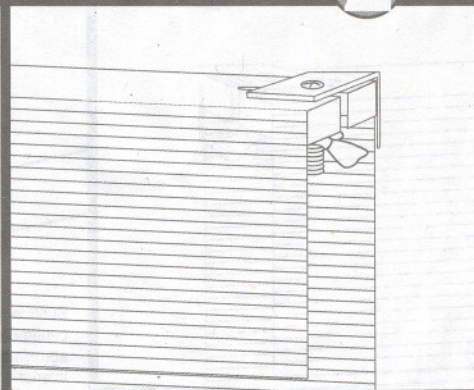


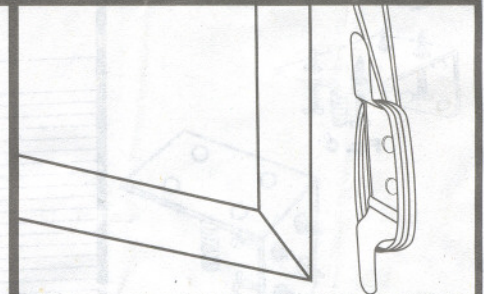
Fig. C

Fig. D

Place brackets at pencil marks. Pre-drill small holes for screws. Brackets may be mounted to ceiling (Fig. C) or brackets may be mounted to wall (Fig. D). Screw brackets into place.



Mount shade with wing nuts, as in Step 1. If shade and brackets do not align properly, loosen screws on brackets. Slide bracket back and forth until shade is aligned.



Find a convenient place several centimeters out from the righthand side of the shade and about 1/4 of the way up from the bottom. Hold the cord cleat up parallel with the window frame. Mark dots through the holes. Make pilot holes and put the cord cleat up with two small screws. Cord can be wound around the cord cleat to reduce excess cord when shade is raised.

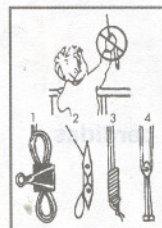
### 3 INSTALL BRACKETS

### 4 HANG SHADE

### 5 INSTALL CORD CLEAT (OPTIONAL)

For assistance with intallation or missing parts, please call 1-800-860-1677

Revised 04.27.07



### WARNING!

To avoid possible strangulation, keep cords out of reach of children.

Use these devices:

1. Clamp or clothspin
2. Cleat
3. Tie the cord to itself
4. Tie down device