



Features

- Modular design allows it to be moved around corners and through doorways with ease.
- Durable high gloss finish.
- Convenient shelves provide generous storage space.
- Geometric back wall design adds visual interest.
- 48" (1219 mm) x 36" (914 mm) x 75-3/4" (1926 mm) complete unit finished dimensions.

Material

- Compression molded from our exclusive Vikrell® material.

Installation

- Four-piece modular design with pivot "snap together" installation.
- Caulk-free installation.

Components

Product includes:

- 72245100 36" Shower End Wall Set
- 72261100 48" Shower Base
- 72262100 48" Shower Back Wall



Codes/Standards

- CSA B45.5/IAPMO Z124
- ASTM E162
- ASTM E662
- Greenguard UL 2818 - Gold
- HUD, UM Bulletin 73

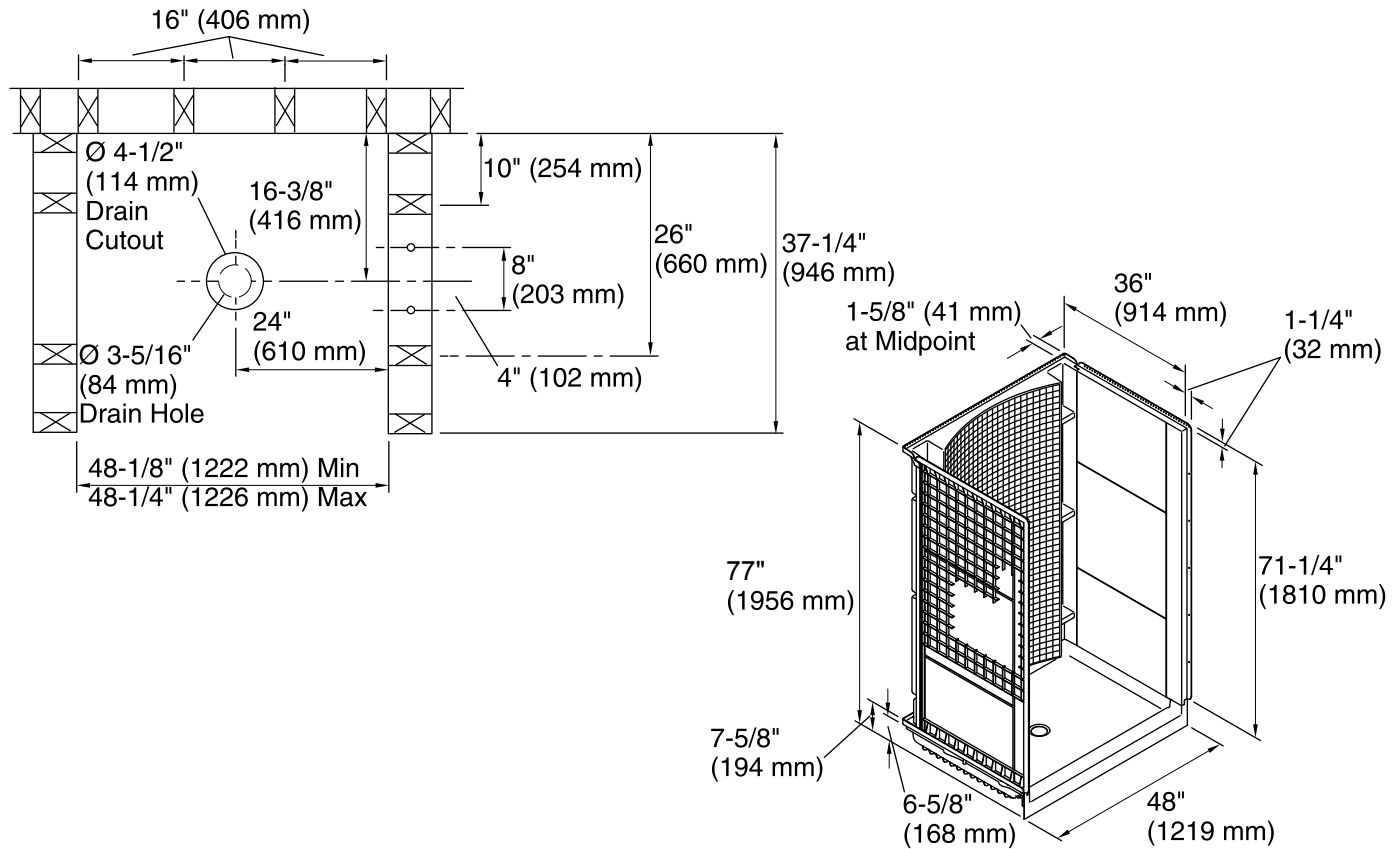
STERLING® Warranty - Fixtures Made of Solid Vikrell Material

See website for detailed warranty information.

Available Color/Finishes

Color tiles intended for reference only.

Color	Code	Description
	0	White
	96	Biscuit



Technical Information

All product dimensions are nominal.

Installation: 3-Wall Alcove
 Drain location: Center
 Door height required: 72" (1829 mm)
 Door width required: 44-5/8" (1133 mm)

Notes

Install this product according to the installation guide.
 Double studding is recommended for pivot shower door installations.
 Studs should be positioned roughly as shown.
 Receptor cannot be installed without the wall surround.