



# Lawson™

## 72" x 42" Drop-In Bath

### 71311100

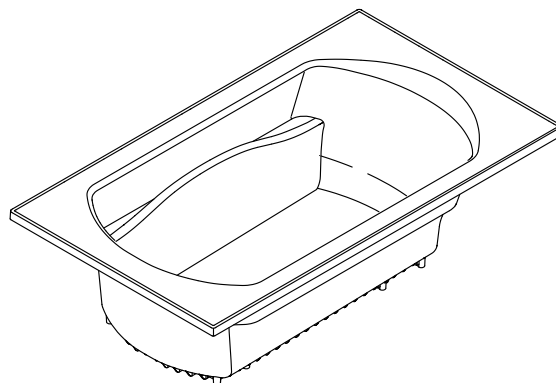


#### Features

- Durable high-gloss finish.
- 72" (1829 mm) x 42" (1067 mm) x 20-5/16" (516 mm) finished dimensions

#### Material

- Compression molded from our exclusive solid Vikrell® material.



#### Codes/Standards

CSA B45.5/IAPMO Z124  
ASTM E162  
ASTM E662  
Greenguard UL 2818 - Gold



#### STERLING® Warranty - Fixtures Made of Solid Vikrell Material

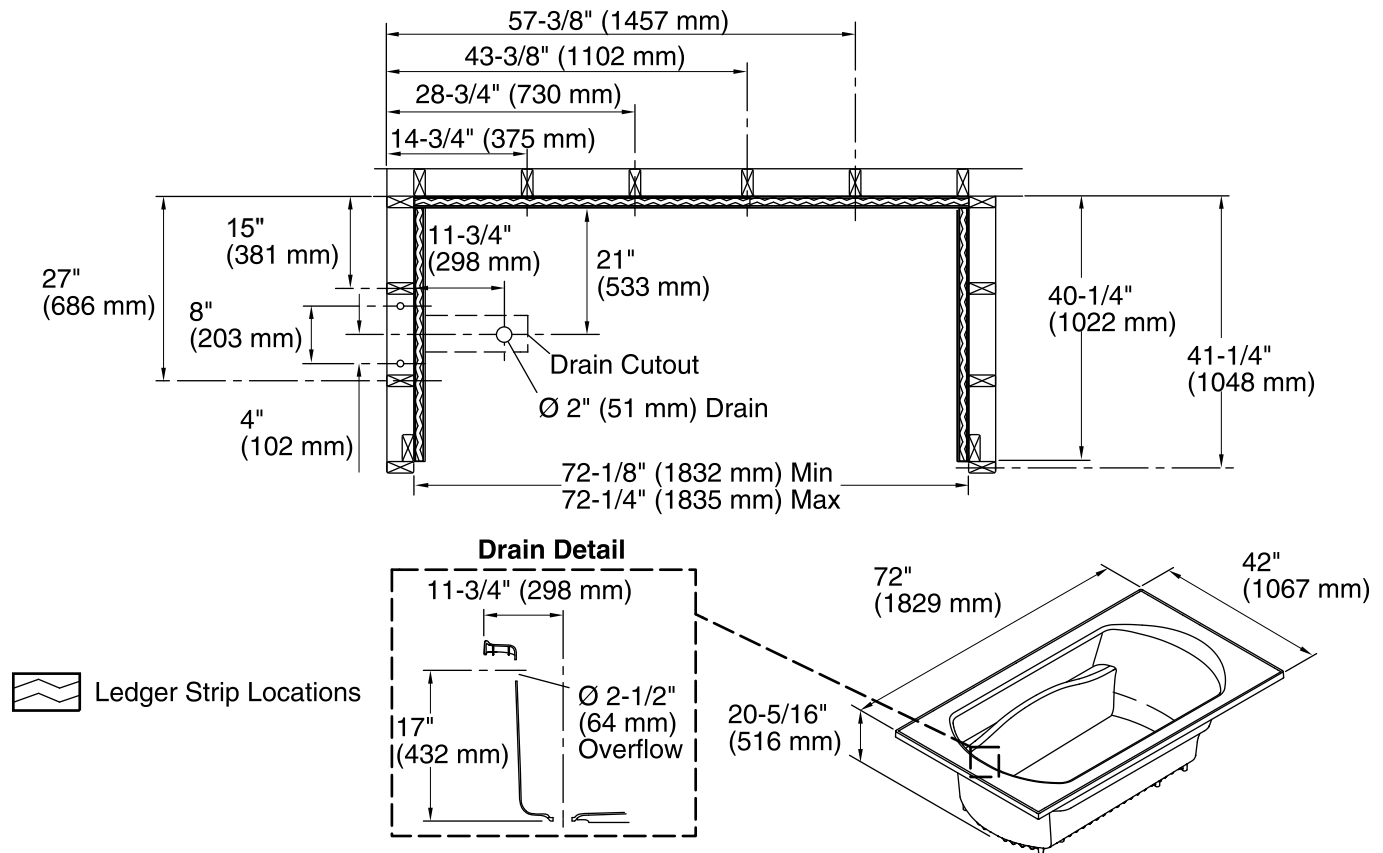
See website for detailed warranty information.

#### Available Color/Finishes

*Color tiles intended for reference only.*

Color	Code	Description
-------	------	-------------

- |  |    |         |
|--|----|---------|
|  | 0  | White   |
|  | 96 | Biscuit |



### Technical Information

All product dimensions are nominal.

Installation:	Drop-in
Drain location:	Reversible
Basin area, bottom:	50" x 25-5/8" (1270 mm x 651 mm)
Basin area, top:	59" x 33" (1499 mm x 838 mm)
Water depth:	15-1/4" (387 mm)
Water capacity:	80 gal (302.8 L)
Door width required:	72" (1829 mm)

### Notes

Measure your actual product for roughing-in details.

Install this product according to the installation guide.

Studs should be positioned roughly as shown.

Double studding is recommended for pivot shower door installations.