

STERLING®

A KOHLER COMPANY

MCALLISTER®

STAINLESS STEEL HIGH/LOW SINK UCL3322R

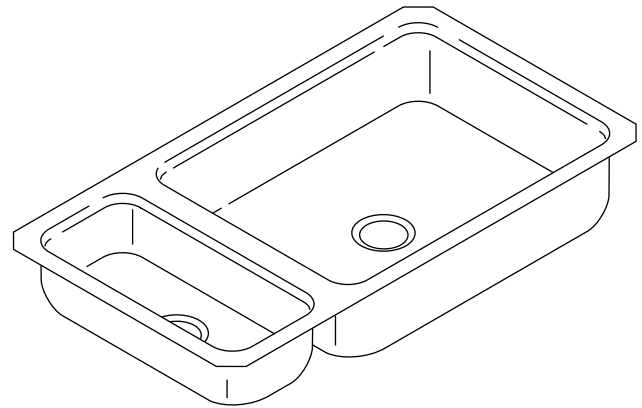
Features

- Includes SilentShield® sound-absorption technology
- Double (high/low) bowl
- Satin finish
- One-piece steel construction, no center weld
- Includes installation hardware
- 19-gauge stainless steel
- Under-mount rimless design (no reveal)
- Spacious 7" (178 mm) and 5" (127 mm) deep basin
- 31-3/4" (806 mm) x 17-1/2" (445 mm) x 7" (178 mm)

Codes/Standards Applicable

Specified model meets or exceeds the following:

- ASME A112.19.3/CSA B45.4



Colors/Finishes

- NA: None applicable

Accessories:

- NA: None applicable

Specified Model

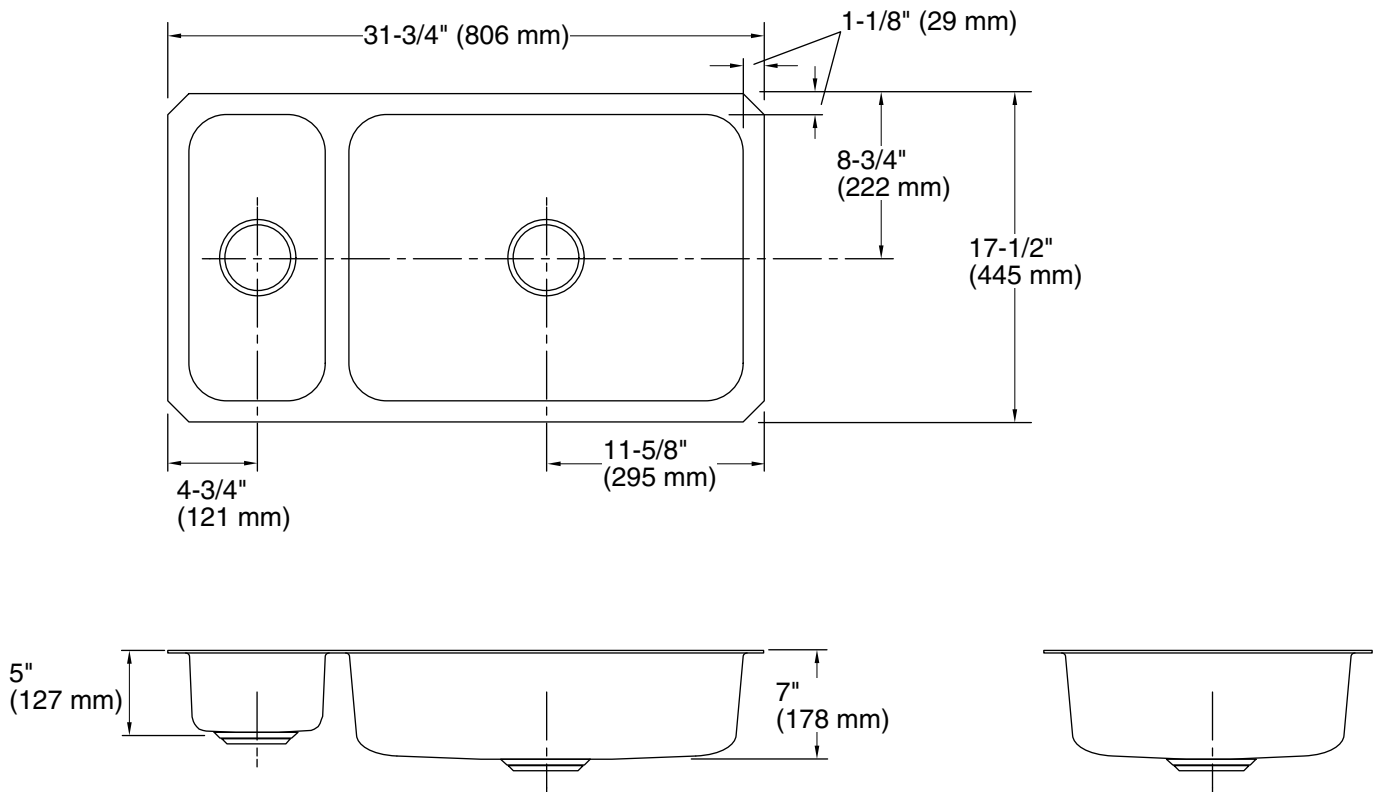
| Model | Description | Holes | Small Basin Depth | Large Basin Depth | Colors/Finishes |
|----------|------------------------------------|-------|-------------------|-------------------|-----------------------------|
| UCL3322R | Double (high/low) compartment sink | 0 | 5" (127 mm) | 7" (178 mm) | <input type="checkbox"/> NA |

Technical Information

| | | |
|---|---------------------------------------|------------------------------------|
| Fixture:* | | |
| Sink | | |
| | Small bowl | Large bowl |
| Basin area | 7-1/4" (184 mm) x 15-1/4" (387 mm) | 21" (533 mm) x 15-1/4" (387 mm) |
| Water depth | 5" (127 mm) | 7" (178 mm) |
| Drain holes | Ø 3-5/8" (92 mm) | Ø 3-5/8" (92 mm) |
| * Approximate measurements for comparison only. | | |
| Included components: | | |
| Cut-out template | 1154796-7 | |

Installation Notes

Install this product according to the installation guide.



Product Diagram