



A KOHLER COMPANY

Acclaim™

60" x 30" Bath/Shower
71090110



Features

- Modular design allows it to be moved around corners and through doorways with ease.
- Durable high gloss finish.
- Molded-in back wall shelving and an arch design adds visual appeal.
- 15" (381 mm) bath depth (floor to top of threshold).
- 60" (1524 mm) x 30" (762 mm) x 72" (1829 mm) complete unit finished dimensions.

Material

- Compression molded from our exclusive Vikrell® material.

Installation

- Four-piece modular design allows for easy "snap together" installation.
- Some caulk required for proper installation.
- Bath only installation not recommended. Must be used with Acclaim™ walls.

Components

Product includes:

- 71094100 60" x 30" Bath/Shower Wall Set
- 71091110 60" x 30" Bath



Codes/Standards

- CSA B45.5/IAPMO Z124
- ASTM E162
- ASTM E662
- Greenguard UL 2818 - Gold



STERLING® Warranty - Fixtures Made of Solid Vikrell Material

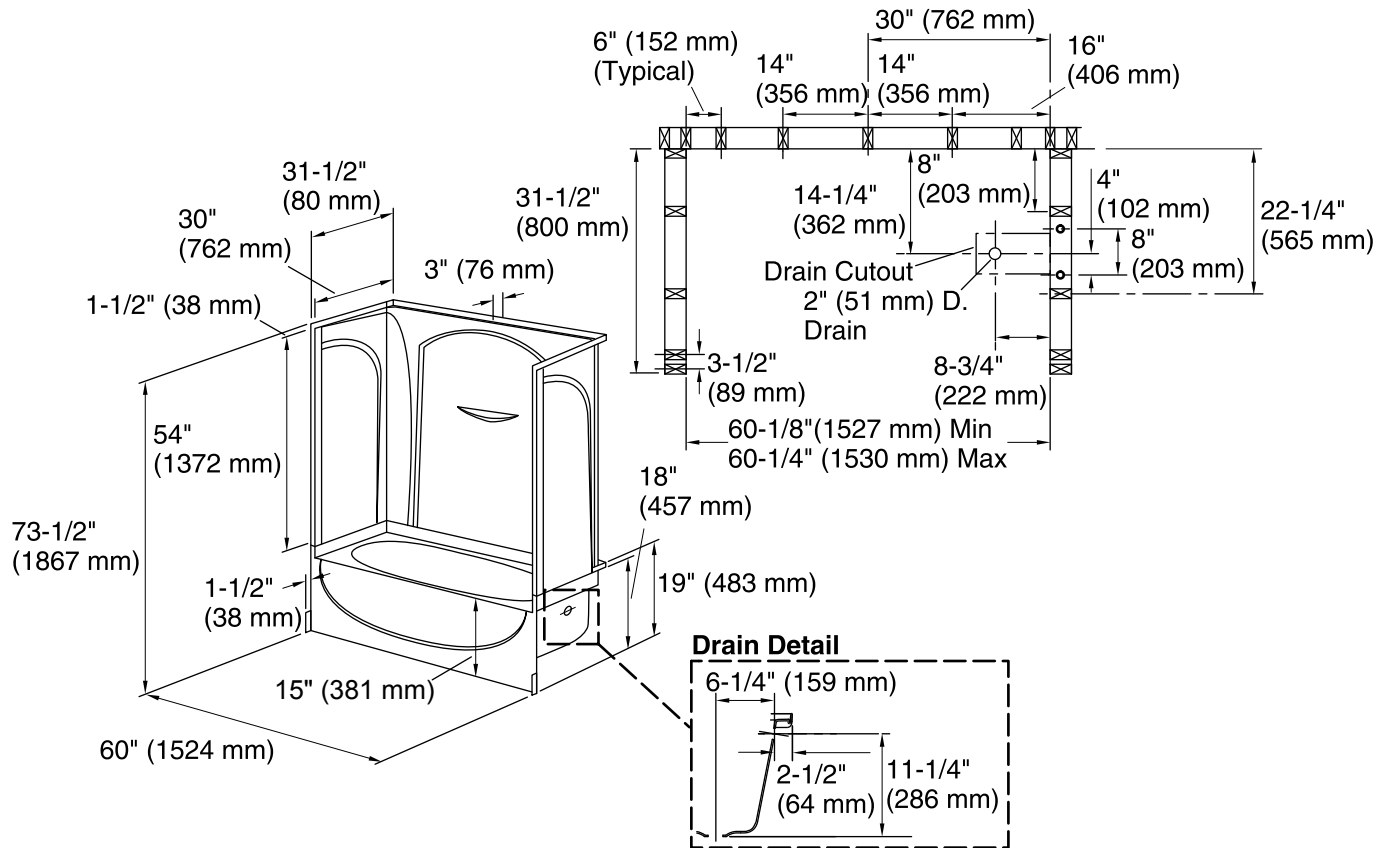
See website for detailed warranty information.

Available Color/Finishes

Color tiles intended for reference only.

Color Code Description

- | | | |
|--|----|---------|
|  | 0 | White |
|  | 96 | Biscuit |



Technical Information

All product dimensions are nominal.

Installation: 3-Wall Alcove

Drain location: Left

Basin area, bottom: 42" x 16-1/4" (1067 mm x 413 mm)

Basin area, top: 56" x 23-3/4" (1422 mm x 603 mm)

Door height required: 56-1/2" (1435 mm)

Door width required: 58-1/2" (1486 mm)

Notes

Measure your actual product for roughing-in details.

Install this product according to the installation guide.

Studs should be positioned roughly as shown.

Double studding is recommended for pivot shower door installations.

Adjacent finished wall thickness must not exceed 9/16" (14 mm).