



Features

- Modular design allows it to be moved around corners and through doorways with ease.
- Durable high gloss finish.
- Molded-in back wall shelving and an arch design add visual appeal.
- Wall surround includes backer boards for future grab bar installation.
- Above-floor-drain (AFD) rough-in.
- 17-1/4" (438 mm) bath depth (floor to top of threshold).
- 60" (1524 mm) x 30" (762 mm) x 74-1/4" (1886 mm) complete unit finished dimensions.

Material

- Compression molded from our exclusive solid Vikrell® material.

Installation

- Tongue-and-groove four piece modular design allows for easy snap together installation.
- Some caulk required for proper installation.
- Bath only installation not recommended. Must be installed with Acclaim™ wall set.

Components

Product includes:

- 71091128 60" x 30" AFD Bath with Backer Boards
- 71094106 60" x 30" Wall Set with Backer Boards



Codes/Standards

CSA B45.5/IAPMO Z124
ASTM E162
ASTM E662
Greenguard UL 2818 - Gold



STERLING® Warranty - Fixtures Made of Solid Vikrell Material

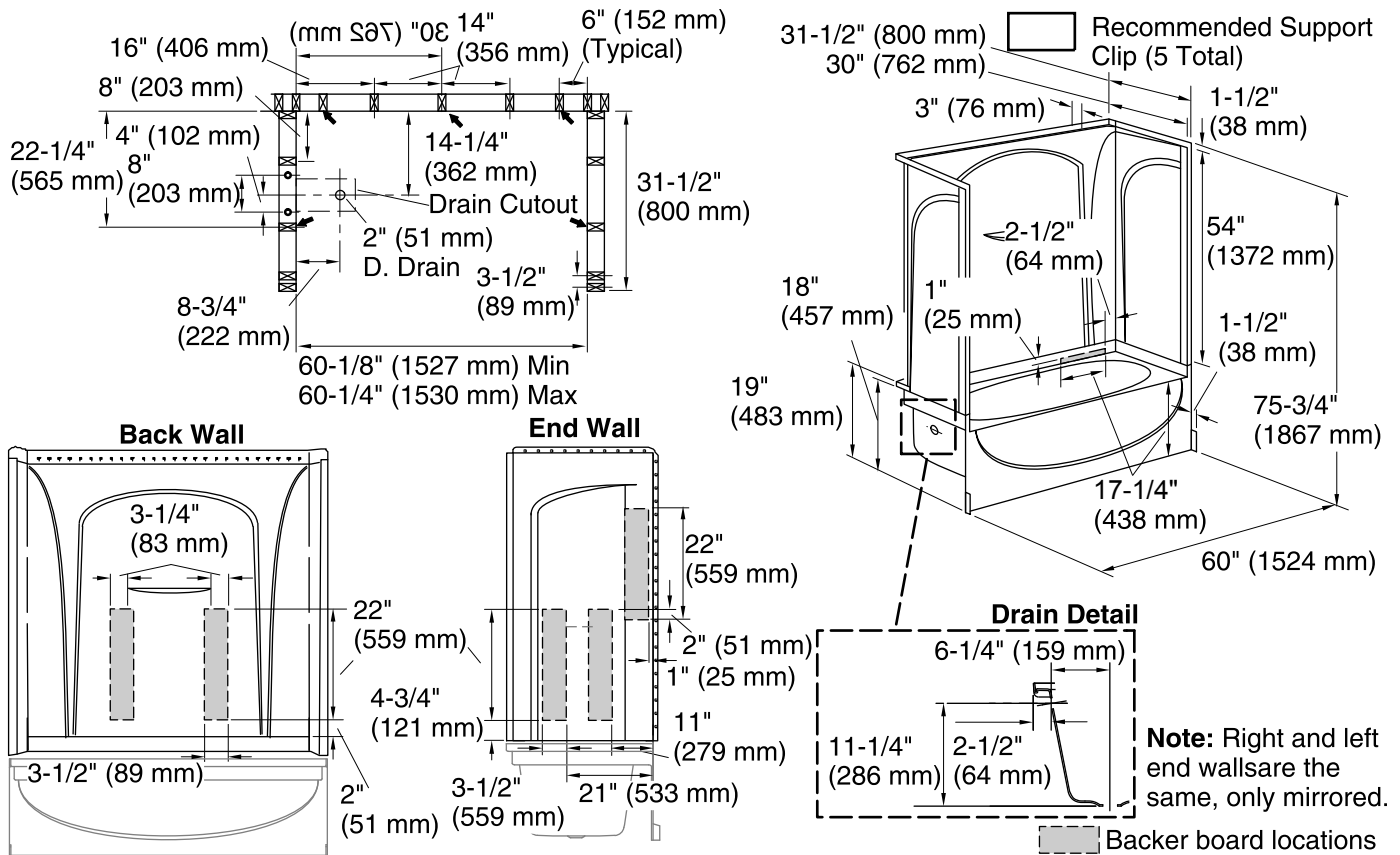
See website for detailed warranty information.

Available Color/Finishes

Color tiles intended for reference only.

Color	Code	Description
-------	------	-------------

- | | | |
|--|----|---------|
|  | 0 | White |
|  | 96 | Biscuit |



Technical Information

All product dimensions are nominal.

Installation:	3-Wall Alcove
Drain location:	Right
Basin area, bottom:	42" x 16-1/4" (1067 mm x 413 mm)
Basin area, top:	56" x 23-3/4" (1422 mm x 603 mm)
Water depth:	12" (305 mm)
Water capacity:	34 gal (128.7 L)
Door height required:	56-1/2" (1435 mm)
Door width required:	58-1/2" (1486 mm)

Notes

Measure your actual product for roughing-in details.

Install this product according to the installation guide.

Studs should be positioned roughly as shown.

Double studding is recommended for pivot shower door installations.

Adjacent finished wall thickness must not exceed 9/16" (14 mm).