



Performa™

60" Bath/Shower with Backer Boards

71040126



Features

- Modular design allows it to be moved around corners and through doorways with ease.
- Durable high gloss finish.
- Acrylic towel bar included on back wall.
- Wall surround includes backer boards for future attachment of grab bars.
- 60" (1524 mm) x 29" (737 mm) x 75-1/2" (1918 mm) complete unit finished dimensions.

Material

- Compression molded from our exclusive solid Vikrell® material.

Installation

- Tongue-and-groove four-piece modular design allows for easy snap together installation.
- Caulk is required in the seams for proper installation.

Components

Product includes:

- 71044106 60" Bath/Shower Wall Set w/Backer Boards
- 71041120 60" Bath



Codes/Standards

- CSA B45.5/IAPMO Z124
- ASTM E162
- ASTM E662
- Greenguard UL 2818 - Gold
- HUD, UM Bulletin 73



STERLING® Warranty - Fixtures Made of Solid Vikrell Material

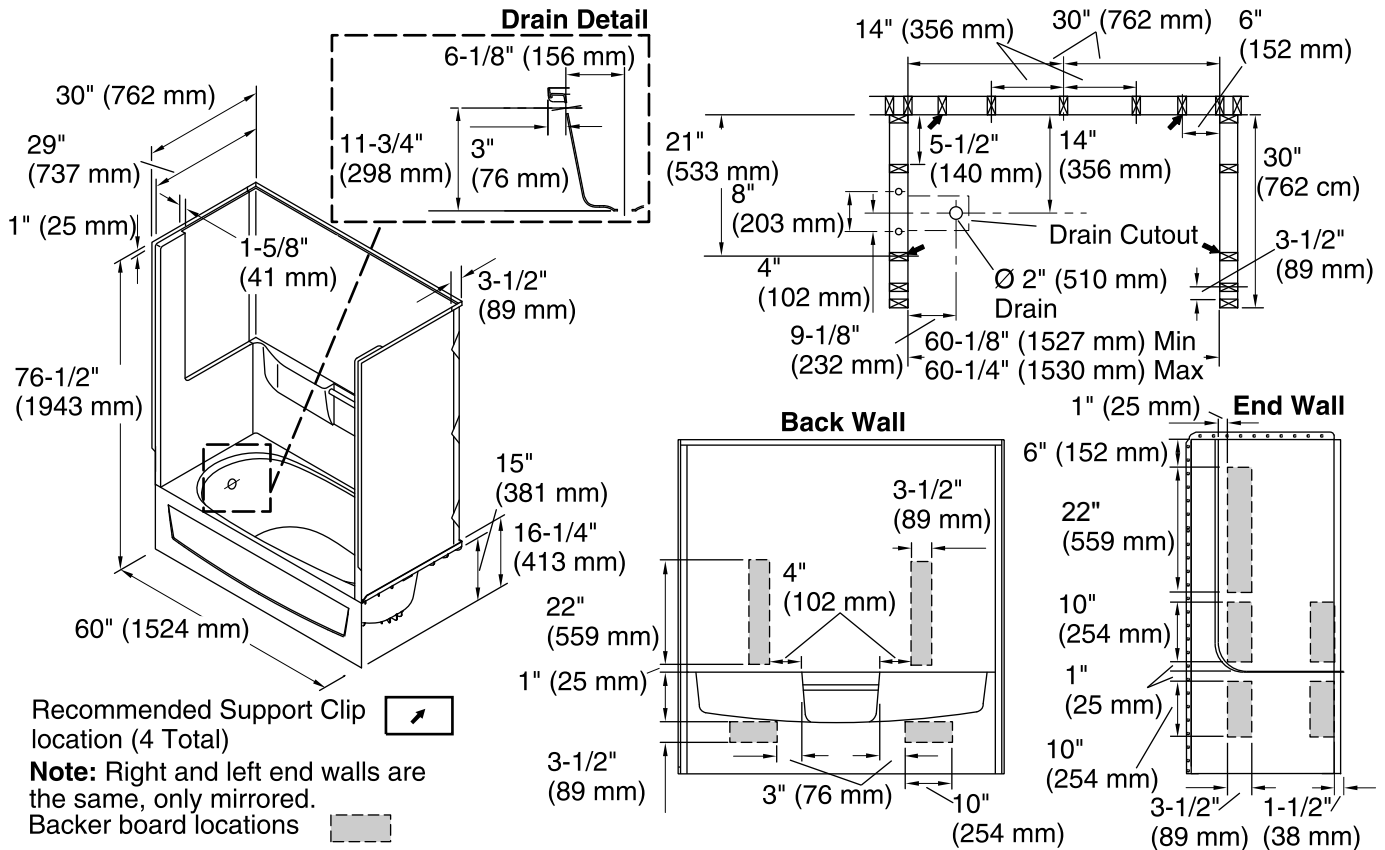
See website for detailed warranty information.

Available Color/Finishes

Color tiles intended for reference only.

Color	Code	Description
-------	------	-------------

- | | | |
|--|----|---------|
|  | 0 | White |
|  | 96 | Biscuit |



Technical Information

All product dimensions are nominal.

Installation:	3-Wall Alcove
Drain location:	Right
Basin area, bottom:	21" x 39" (533 mm x 991 mm)
Basin area, top:	24" x 53" (610 mm x 1346 mm)
Water depth:	10-1/4" (260 mm)
Water capacity:	35 gal (132.5 L)
Door height required:	59-1/2" (1511 mm)
Door width required:	56-3/4" (1441 mm)

Notes

Measure your actual product for roughing-in details.

Install this product according to the installation guide.

Double studing is recommended for pivot shower door installations.

Studs should be positioned roughly as shown.

Attach grab bars at the specified backer board locations only.