



# Ensemble™

## 60" x 32" Tile AFD Bath/Shower with Backer Boards 71120128



### Features

- Modular design allows it to be moved around corners and through doorways with ease.
- Durable high gloss finish.
- Above-floor-drain (AFD) rough-in.
- Wall surround includes backer boards for future grab bar installation.
- Realistic tile wall surround features molded-in shelves for generous storage space.
- 20" (598 mm) bath depth (floor to top of threshold).
- 2" (51 mm) wainscot/tile ledge.
- 60" (1524 mm) x 32" (813 mm) x 76" (1930mm) complete unit finished dimensions.

### Material

- Compression molded from our exclusive solid Vikrell® material.

### Installation

- Tongue-and-groove four piece modular design allows for easy snap together installation.
- Some caulk required for proper installation.

### Components

Product includes:

71124106 60" x 32" Wall Set with Backer Boards

71121122 32" (813 mm) AFD Bath



### Codes/Standards

CSA B45.5/IAPMO Z124

ASTM E162

ASTM E662

Greenguard UL 2818 - Gold



### STERLING® Warranty - Fixtures Made of Solid Vikrell Material

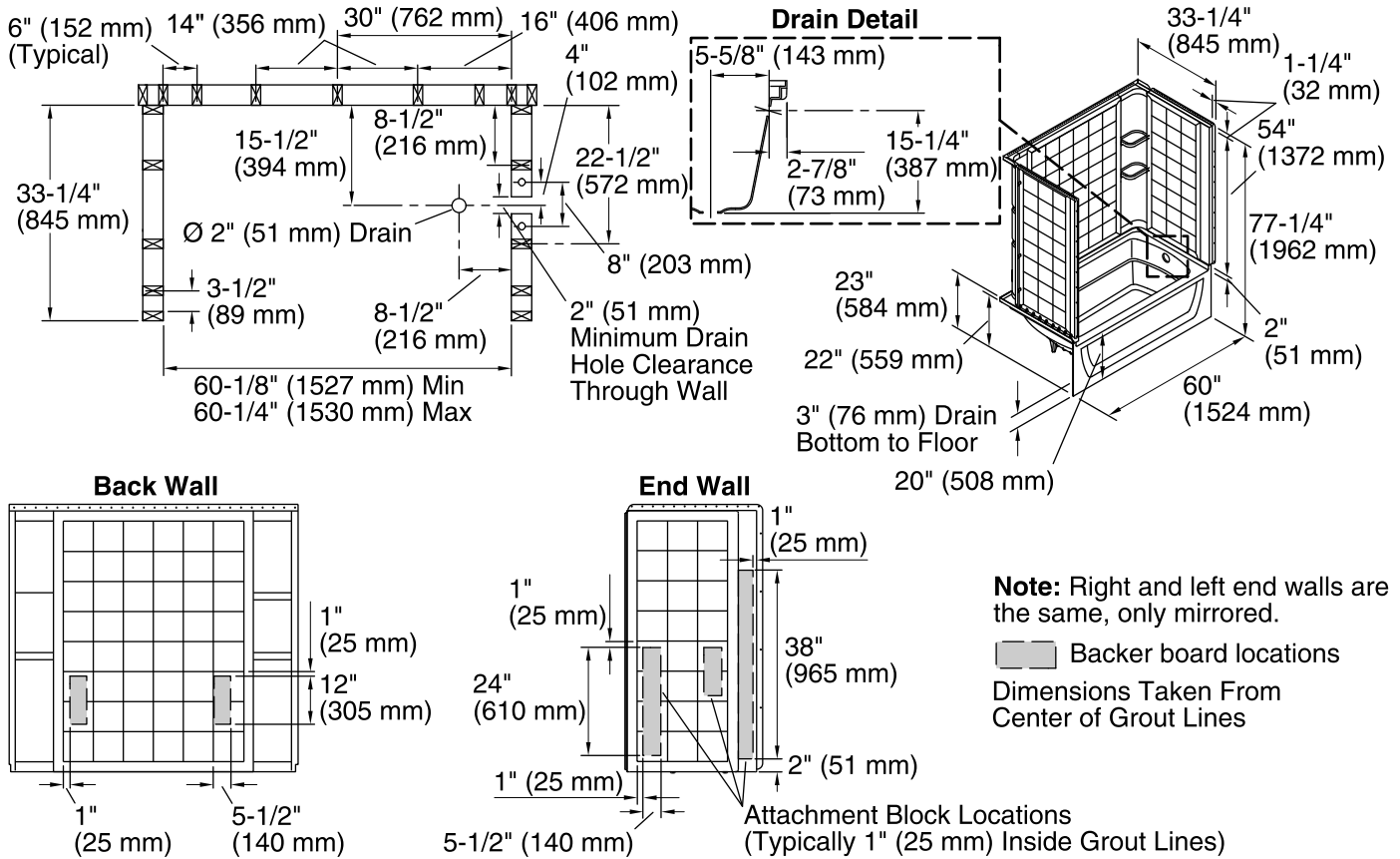
See website for detailed warranty information.

### Available Color/Finishes

*Color tiles intended for reference only.*

#### Color Code Description

	0	White
	96	Biscuit



**Technical Information**

All product dimensions are nominal.

Installation: 3-Wall Alcove

Drain location: Right

Basin area, bottom: 42" x 20" (1067 mm x 508 mm)

Basin area, top: 54" x 26" (1372 mm x 660 mm)

Water depth: 13" (330 mm)

Water capacity: 51 gal (193.1 L)

Door height required: 55-1/2" (1410 mm)

Door width required: 57-11/16" (1465 mm)

**Notes**

Measure your actual product for roughing-in details.

Install this product according to the installation guide.

Studs should be positioned roughly as shown.

Double studding is recommended for pivot shower door installations.

Attach grab bars at the specified backer board locations only.