



Ensemble™

60" x 32" Curve Bath/Shower with Backer Boards 71220126



Features

- Modular design allows it to be moved around corners and through doorways with ease.
- Durable high gloss finish.
- Curve wall with a smooth, contemporary look and ample shelving.
- 18" (457mm) bath depth (floor to top of threshold).
- 2" (51 mm) wainscot/tile ledge.
- 60" (1524 mm) x 32" (813 mm) x 74" (1880 mm) complete unit finished dimensions.

Material

- Compression molded from our exclusive solid Vikrell® material.

Installation

- Tongue-and-groove four piece modular design allows for easy snap together installation.
- Some caulk required for proper installation.
- Wall surround includes backer boards for grab bar installation.

Components

Product includes:

- 71224106 60" x 32" Curve Wall Set with Backer Boards
- 71121120 32" (813 mm) Bath



Codes/Standards

CSA B45.5/IAPMO Z124
ASTM E162
ASTM E662
Greenguard UL 2818 - Gold



STERLING® Warranty - Fixtures Made of Solid Vikrell Material

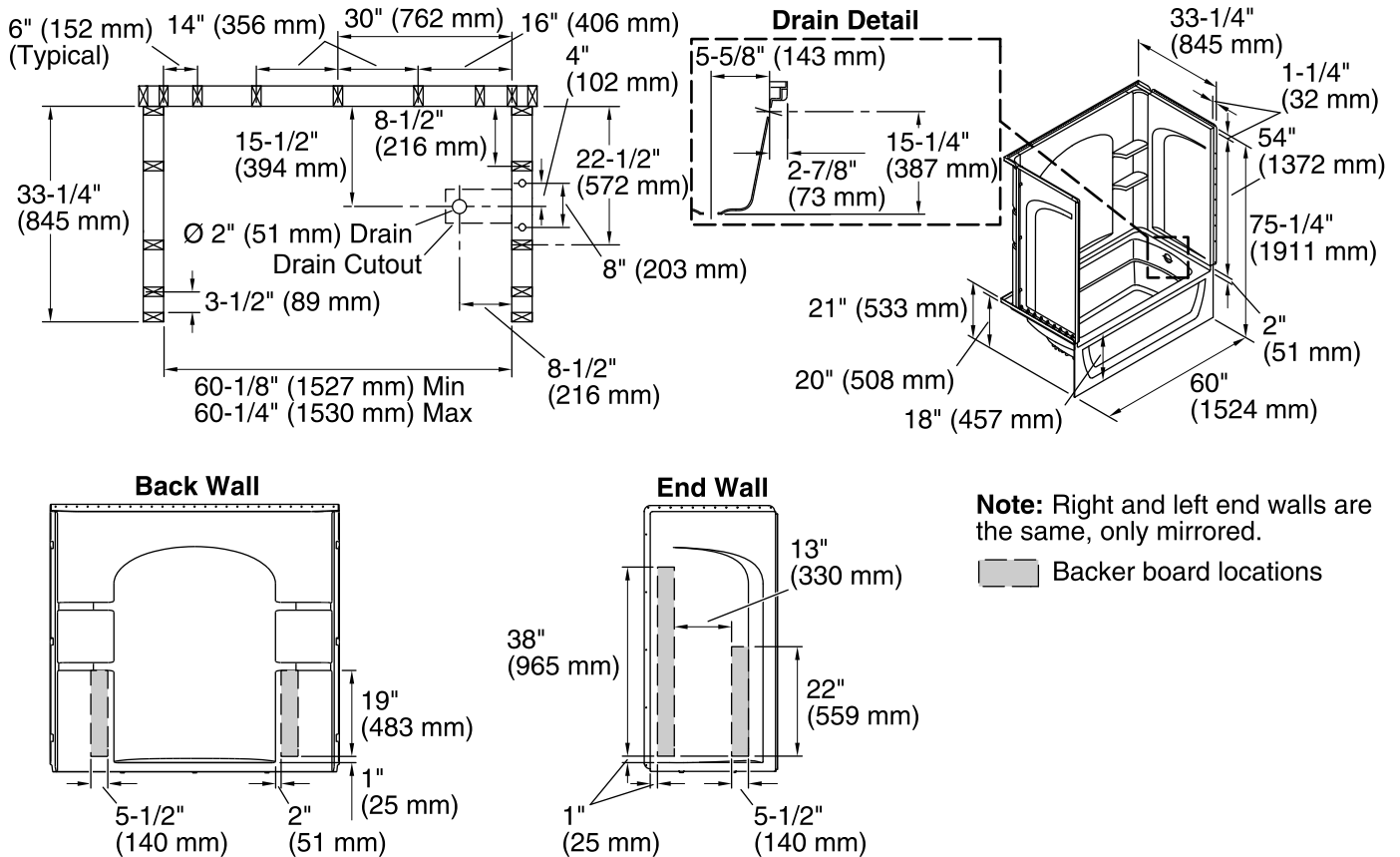
See website for detailed warranty information.

Available Color/Finishes

Color tiles intended for reference only.

Color	Code	Description
-------	------	-------------

- | | | |
|--|----|---------|
|  | 0 | White |
|  | 96 | Biscuit |



Technical Information

All product dimensions are nominal.

- Installation: 3-Wall Alcove
- Drain location: Right
- Basin area, bottom: 42" x 20" (1067 mm x 508 mm)
- Basin area, top: 54" x 26" (1372 mm x 660 mm)
- Water depth: 13-3/4" (349 mm)
- Water capacity: 55 gal (208.2 L)
- Door height required: 55-1/2" (1410 mm)
- Door width required: 57-11/16" (1465 mm)

Notes

- Measure your actual product for roughing-in details.
- Install this product according to the installation guide.
- Studs should be positioned roughly as shown.
- Double studding is recommended for pivot shower door installations.
- Attach grab bars at the specified backer board locations only.