



Ensemble™

60" x 32" Curve AFD Bath/Shower with Backer Boards 71220128



Features

- Modular design allows it to be moved around corners and through doorways with ease.
- Durable high gloss finish.
- Above-floor-drain (AFD) rough-in.
- Wall surround includes backer boards for future grab bar installation.
- Curve wall with smooth, contemporary look and ample shelving.
- 20" (598 mm) bath depth (floor to top of threshold).
- 2" (51 mm) wainscot/tile ledge.
- 60" (1524 mm) x 32" (813 mm) x 76" (1930mm) complete unit finished dimensions.

Material

- Compression molded from our exclusive solid Vikrell® material.

Installation

- Tongue-and-groove four piece modular design allows for easy snap together installation.
- Some caulk required for proper installation.

Components

Product includes:

- 71224106 60" x 32" Curve Wall Set with Backer Boards
- 71121122 32" (813 mm) AFD Bath



Codes/Standards

CSA B45.5/IAPMO Z124
ASTM E162
ASTM E662
Greenguard UL 2818 - Gold



STERLING® Warranty - Fixtures Made of Solid Vikrell Material

See website for detailed warranty information.

Available Color/Finishes

Color tiles intended for reference only.

Color	Code	Description
-------	------	-------------

- | | | |
|--|----|---------|
|  | 0 | White |
|  | 96 | Biscuit |

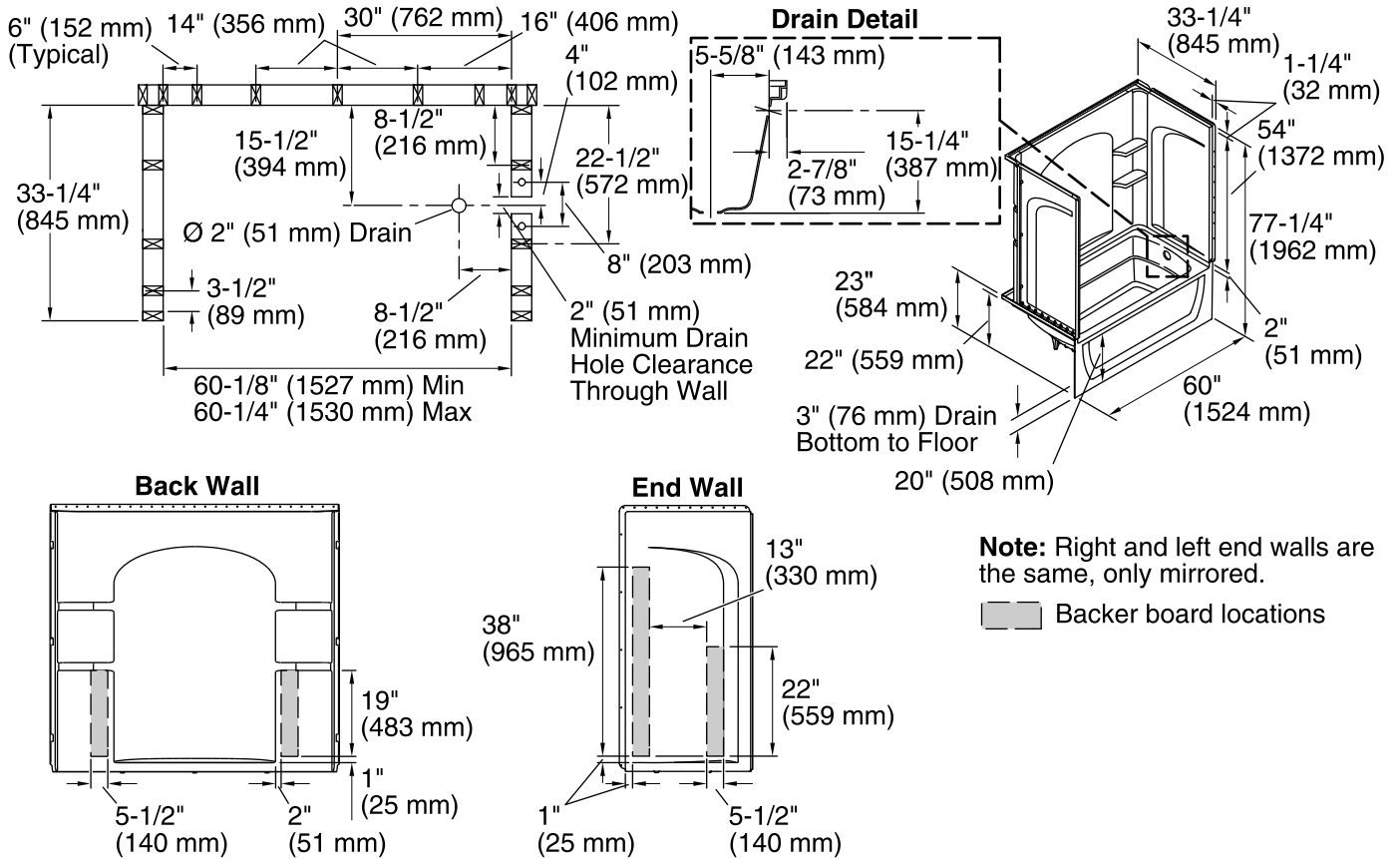
STERLING

A KOHLER COMPANY

Ensemble™

60" x 32" Curve AFD Bath/Shower with Backer Boards

71220128



Technical Information

All product dimensions are nominal.

Installation: 3-Wall Alcove

Drain location: Right

Basin area, bottom: 42" x 20" (1067 mm x 508 mm)

Basin area, top: 54" x 26" (1372 mm x 660 mm)

Water depth: 13" (330 mm)

Water capacity: 51 gal (193.1 L)

Door height required: 55-1/2" (1410 mm)

Door width required: 57-11/16" (1465 mm)

Notes

Measure your actual product for roughing-in details.

Install this product according to the installation guide.

Studs should be positioned roughly as shown.

Double studding is recommended for pivot shower door installations.

Attach grab bars at the specified backer board locations only.