

STERLING®

A KOHLER COMPANY

Features

- Heavy-duty, anodized aluminum-framed glass doors
- Panels are guided by a unique continuous bottom track guide system
- Out-of-plumb adjustability allows for easy installation
- Reversible top track and towel bar allow a choice between a rounded or accented design
- Tempered glass ensures maximum safety and durability
- Aluminum components extruded from alloy 6063-T5
- Stainless steel hardware prevents rusting or corrosion
- Made specifically to fit Sterling® shower receptor and wallset only
- Screw covers included

Codes/Standards Applicable

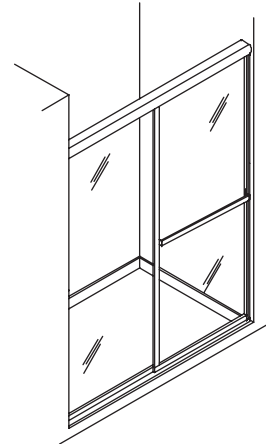
Specified model meets or exceeds the following:

- ANSI Z97.1 (tempered glass)
- 16 CFR Part 1201

Specified Model

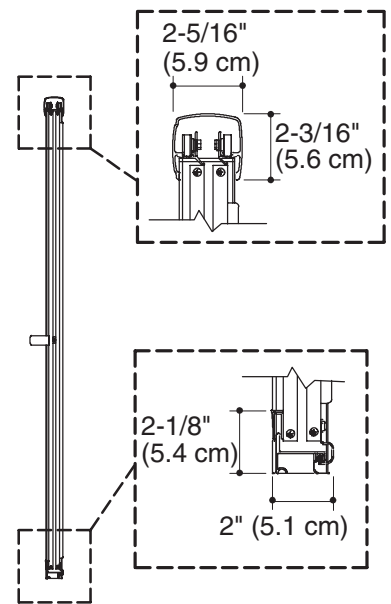
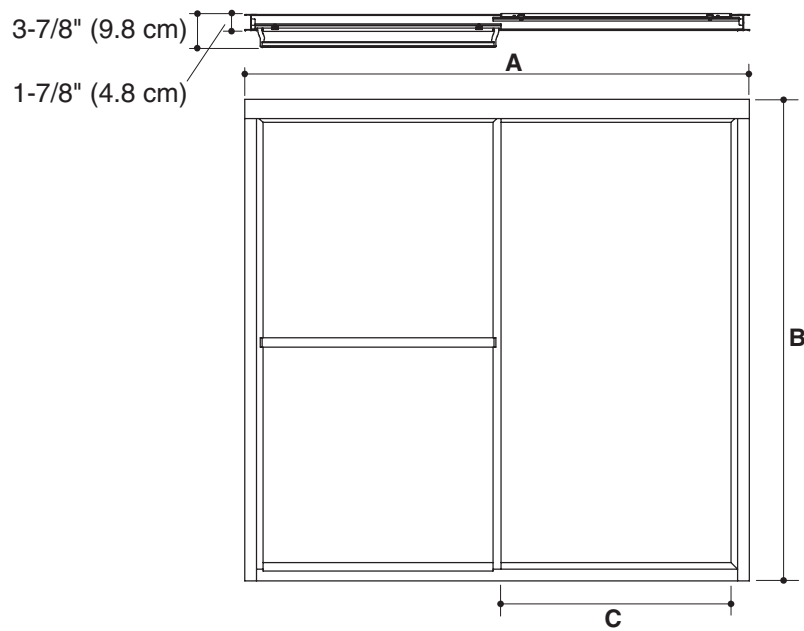
Model	A (Max Width)*	B (Height)*	C (Walk Through Max)*
5970SP-59**	59-3/8" (150.8 cm)	69-9/16" (176.7 cm)	27-3/4" (70.5 cm)
5975SP-59**	59-3/8" (150.8 cm)	70" (177.8 cm)	27-3/4" (70.5 cm)
5976SP-59**	59-3/8" (150.8 cm)	70" (177.8 cm)	27-3/4" (70.5 cm)
* Note: Consult the diagram on the next page for the location of the measurements.			
** Note: Add appropriate frame color/finish code to the end of the unit model # when ordering.			
Recommended Accessories			
62040100**	Advantage™ 60" (OC-SS-60) alcove shower		
** Note: Refer to the Price Book for shower options and additional color information.			

DELUXE BY-PASS SHOWER DOORS 5970SP Series



Colors/Finishes

- Refer to the Price Book for current frame finish and glass options



Product Diagram