

STERLING®

A KOHLER COMPANY

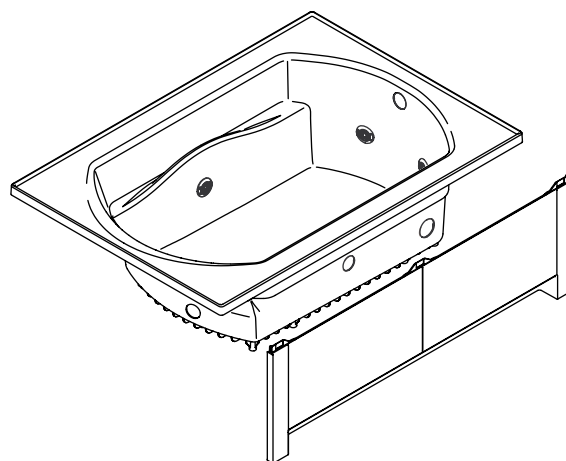
Lawson™

Features

- Compression molded from our exclusive solid Vikrell® material
- Pump with air switch and grounding-type plug-in cord
- Durable high-gloss finish
- 10-year consumer/3-year commercial limited warranty
- 1-year limited warranty pump motor assembly
- Optional heater available (-H models)
- Six jets with independent variable control
- Optional attached apron 76268100
- 60" (1524 mm) x 42" (1067 mm) x 20-5/16" (516 mm) unit rough-in dimension include nailing flange
- 60" (1524 mm) x 42" (1067 mm) x 20-5/16" (516 mm) complete unit finished dimensions

42" (1067 mm) DROP-IN WHIRLPOOL BATH

76281110
ALSO 76281120



Codes/Standards Applicable

Specified model meets or exceeds the following:

- ANSI Z124.1.2
- ASME A112.19.7
- ASTM E162
- ASTM E662
- CSA B45
- UL 1795
- CSA C22.2 No 218.2

Colors/Finishes

- 0: White
- Other: Refer to Price Book for additional colors/finishes

Specified Model

Model	Description	Colors/Finishes	
76281110	42" (1067 mm) x 60" (1524 mm) drop-in whirlpool bath, left-hand drain	<input type="checkbox"/> 0	<input type="checkbox"/> Other_____
76281110-H	42" (1067 mm) x 60" (1524 mm) drop-in whirlpool bath with heater, left-hand drain	<input type="checkbox"/> 0	<input type="checkbox"/> Other_____
76281120	42" (1067 mm) x 60" (1524 mm) drop-in whirlpool bath, right-hand drain	<input type="checkbox"/> 0	<input type="checkbox"/> Other_____
76281120-H	42" (1067 mm) x 60" (1524 mm) drop-in whirlpool bath with heater, right-hand drain	<input type="checkbox"/> 0	<input type="checkbox"/> Other_____

Technical Information

Fixture*:	
Basin area:	
Bathing well	44" (1118 mm) x 25-3/4" (654 mm)
Top area	51" (1295 mm) x 32-3/4" (832 mm)
To overflow:	
Water depth	15-1/4" (387 mm)
Capacity	68 gal (257.4 L)
* Approximate measurements for comparison only.	

Pump:	V	Hz	A
1-speed	120	60	7

Required Electrical Service

Dedicated circuit required, protected with Class A Ground-Fault Circuit-Interrupter (GFCI):	
Pump	120 V, 15 A, 60 Hz

On models with a heater, a separate dedicated circuit is required, protected with Class A Ground-Fault Circuit-Interrupter (GFCI):

Heater	120 V, 15 A, 60 Hz
--------	--------------------

Installation Notes

Install this product according to the installation guide.

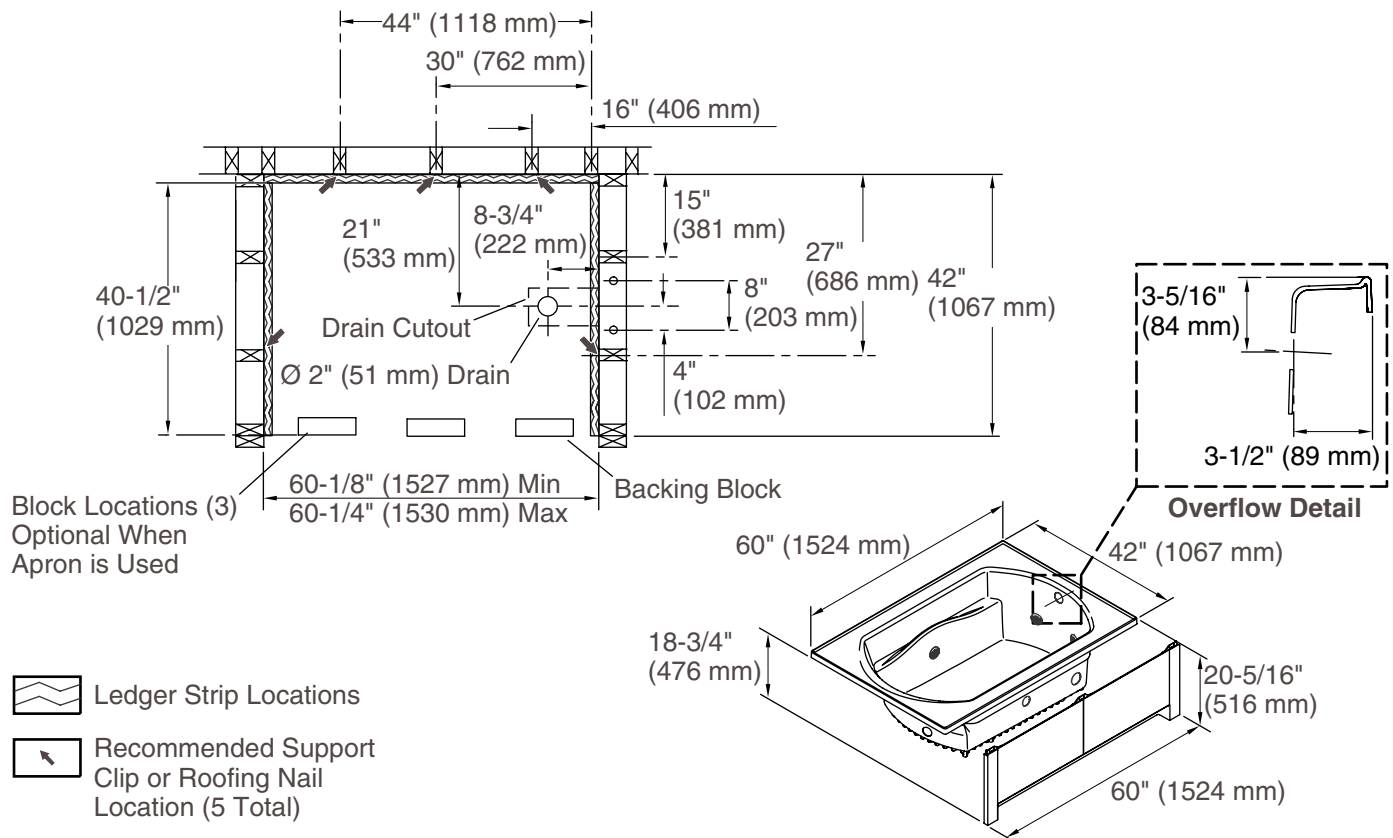
Pump service access is required.

Pump is supplied with a grounding-type plug-in cord for pump and when included, the heater. Locate the outlet(s) within 24" (610 mm) of the pump and heater.

Size the drain cutout to fit the drain assembly.

Stud positioning is critical if nailing-in flanges are to be used.

Studs should be positioned roughly as shown for support clip or roofing nail installation.



Product Diagram