

# STERLING®

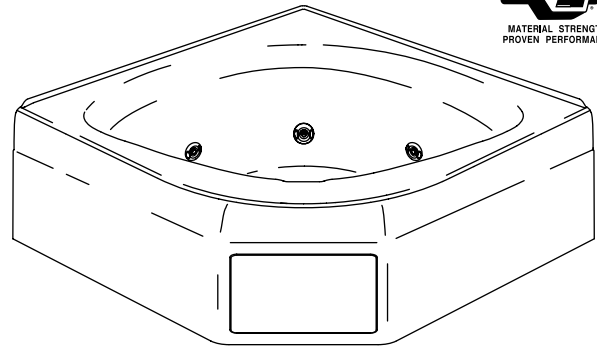
A KOHLER COMPANY

ENSEMBLE™

## Features

- Compression molded from our exclusive solid Vikrell® material
- Integral apron with removable access panel
- Durable high-gloss finish
- Pump with air switch and grounding-type plug-in cord
- 10-year consumer/3-year commercial limited warranty
- 7 Jets
- Multiple seating positions and an ample deck to accommodate multiple faucet mounting options
- 60" (152.4 cm) x 60" (152.4 cm) x 20.5" (52.1 cm) complete unit rough-in dimensions include flange
- 60" (152.4 cm) x 60" (152.4 cm) x 20" (50.8 cm) complete unit finished dimensions

## 60" (152.4 cm) CORNER WHIRLPOOL BATH 76131100



## Codes/Standards Applicable

Specified model meets or exceeds the following:

- ANSI Z124.1.2
- ASME A112.19.7M
- ASTM E162
- ASTM E662
- UL 1795

## Colors/Finishes

- 0: White
- Other: Refer to Price Book for additional colors/finishes

## Specified Model

Model	Description	Colors/Finishes	
76131100	60" (152.4 cm) corner whirlpool bath, center drain	<input type="checkbox"/> 0	<input type="checkbox"/> Other _____

